

SEPTEMBER 2023 PRICELIST ZONE 2



DESIGN
MEETS
FUNCTION

**KNOW
HOW
INSTALLED**

A WORLD FULL OF POSSIBILITIES OUR VALUES



INNOVATION

Constantly setting the standards in sanitary technology.



PARTNERSHIP

Our customers are the focus of everything we do.



KNOW-HOW

Experience and knowledge are at the heart of all we do.



RELIABILITY

Creating durable solutions that are guaranteed throughout their life cycle.



SUSTAINABILITY

Our environmentally friendly, resource-saving, durable products make a crucial contribution to sustainability.

CONTENTS

TERMS AND CONDITIONS	4
GEBERIT LIMITED PRODUCT WARRANTY	5
IN-WALL CISTERNS AND FLUSH BUTTONS	
Sigma20 Tone in Tone Mechanical Dual Flush Button and Access Plate	9
Sigma20 Mechanical Dual Flush Button and Access Plate	9
Sigma21 Mechanical Dual Flush Button and Access Plate	10
Sigma30 Tone in Tone Mechanical Dual Flush Button and Access Plate	11
Sigma30 Mechanical Dual Flush Button and Access Plate	11
Sigma50 Tone in Tone Mechanical Dual Flush Button and Access Plate	12
Sigma50 Mechanical Dual Flush Button and Access Plate	12
Sigma60 Mechanical Dual Flush Button and Access Plate	13
Sigma8 Concealed Cistern – Back to Wall	14
Sigma8 Duofix Frame Concealed Cistern (80mm) – Wall Hung	14
UNDER COUNTER CISTERNS AND FLUSH BUTTONS	
Kappa20 Mechanical Dual Flush Button and Access Plate	15
Kappa21 Mechanical Dual Flush Button and Access Plate	15
Kappa50 Mechanical Dual Flush Button and Access Plate	16
Kappa Under Counter Concealed Cistern – Back to Wall (BTW)	17
Kappa Mid Level Concealed Cistern – with Adjustable Flush Pipe for BTW Pans	18
Kappa Duofix Frame Under Counter Concealed Cistern – Wall Hung	18
REMOTE CISTERNS AND FLUSH BUTTONS	
Kappa Pneumatic Square Buttons	19
TYP10 Pneumatic Remote Button for Sigma8 Cistern	19
TYP01 Raised Pneumatic Remote Button for Sigma8 Cistern	19
Sigma Raised Pneumatic Square Remote Button	20
TYP10 Pneumatic Remote Button for Kappa Cistern	20
Sigma Remote Access Plate	21
Remote Installation in Accessories	21
TAPS AND TRAPS	
Sensor Taps	23
Diseno Bottle Trap	23
URINAL AND BRACKET SYSTEMS	
Urinal Partition Walls	24
Duofix Frames	24
INLET VALVES	
Fors Inlet Valve	25
TYP380 Inlet Valve	25
OUTLET VALVES FOR EXPOSED CISTERNS	
TYP250 for Close Coupled Cisterns	26
TYP250 for Linked Cisterns	27
TYP260 for Close Coupled Cisterns	28
TYP260 for Close Coupled Cisterns with Customised Buttons	28
TYP290 Dual Flush Outlet Valve	29
CONCEALED CISTERN SPARE PARTS	
Sigma75 Pneumatic/Mechanical – 109.75X.00.1	31
Duofix Sigma75 Mechanical – 111.75X.00.1	32
Sigma8 Concealed Cistern – 109.79X.00.1	33
Sigma8 Duofix Cistern – 111.69X.00.1	34
Kappa Under Counter – Low Level Cistern – 110.20X.00.1	35
UP120 Kappa Under Counter – Mid Level Cistern – 224.368.00.1	36
Kappa Duofix Frame Under Counter Concealed Cistern – Wall Hung – 111.26X.00.1	37
UP170 Cistern – 110.70X.00.1, 224.383.00.1	38
UP300/320 Cistern – 111.368.00.1, 111.363.00.1	39
Monolith – 131.00X.XX.1	40
BUTTON SPARE PART	
Sigma60 (2014) – 115.794.GH.1	42
Sigma60 (2016) – 115.640.XX.1	42
Sigma20, 21, 30, 50 – 115.788.XX.2, 115.67X.XX.2, 115.884.XX.1, 115.883.XX.1, 115.882.XX.1	43
Kappa20, 21, 50 - 115.228.XX.1, 115.240.XX.1, 115.258.XX.1, 115.260.XX.1	43
Digital Tools	44

TERMS AND CONDITIONS

This document does not represent a binding offer. Supply is at the discretion of Geberit, to approved customer accounts only.

Valid from 1st September 2023. Prices may change at any time without notice. All prices are in AUD, F.I.S. (Free Into Store) and apply to all products, including spare parts with a minimum order value of \$250+ GST, to supplies in WA, TAS and NT only.

TRANSPORT CHARGES

For minimum order value below \$250 + GST, a transport surcharge per consignment applies for all products and spare parts deliveries from Northmead, Sydney, NSW. GST, as indicated, is not included in the transport surcharge.

PLEASE BE ADVISED THAT NO TRANSPORT CHARGES APPLY TO PRODUCTS AND SPARE PARTS OVER A MINIMUM ORDER VALUE OF \$250 + GST.

	For deliveries to NSW, QLD, ACT, VIC, SA per consignment	\$16.25+GST	
TRANSPORT CHARGES		Up to 5kg	\$19.80+GST
		5-20kg	\$34.60+GST
	For deliveries to WA ,TAS, NT per consignment	More than 20kg	Sep. quote

GOODS RETURN POLICY:

- Prior to goods being returned, approval must be sought from Geberit.
- Goods must be returned to Geberit in the original packaging, in "as new" condition, within 30 days of receipt of goods.
- Refer to "Conditions of Sale" for details.
- All goods that are returned to Geberit in "as new" condition will incur a 20% restocking fee.
- Collection of rejected goods is the responsibility of the customer.
- The customer will be responsible for freight charges and insurance of transportation for returns.
- Geberit reserves the right to refuse the return of goods at any time.
- Damaged or incomplete goods will not be accepted.

GEBERIT LIMITED PRODUCT WARRANTY

Whether you are designing a building or a bathroom, you want dependable, well made products you can trust. With almost 150 years of experience, Geberit products are renowned for their high quality, longevity and reliability, ensuring they will continue to fulfil their function for decades to come.

GENERAL TERMS AND CONDITIONS

Geberit products come with guarantees that cannot be excluded under the Australian Consumer Law. You are entitled to a replacement or refund for a major failure and for compensation for any other reasonable foreseeable loss or damage. You are also entitled to have the goods replaced if the goods fail to be of acceptable quality and the failure does not amount to be a major failure.

COVERAGE AND APPLICATION

This warranty covers faults in the product construction, material and assembly. Products which are within the warranty period stated below which are found, upon inspection by an authorised Geberit representative, to be defective in construction, material or assembly, will be repaired or exchanged with an equivalent product free of charge. Replaced items become Geberit's property.

For the purpose of this warranty "a Geberit product":

- was manufactured by or on behalf of Geberit; and
- is used in a normal domestic or commercial environment; and
- bears a trademark owned or used by Geberit and
- was supplied by Geberit Pty Ltd, to an authorised reseller or distributor of Geberit; and
- was purchased and supplied either in Australia or New Zealand

Geberit products supplied to manufacturers are expressly excluded and the content of this document is not applicable

WARRANTY PERIOD

For all Geberit products the warranty period is strictly from the date of sale as reflected on the authorised distributors invoice. The warranty period for each Geberit product, is outlined below.

CISTERNS	15 years on Sigma8 and Kappa concealed cistern tanks and frames 10 years on installation frames and all other Geberit concealed cistern tanks 3 years on inlet and outlet valve products 3 years on mechanical flush/access plates
ACCESSORIES, TAPS AND TRAPS	2 years on HyTronic and pneumatic products 2 years on HyTec Urinal partition walls 2 years on Diseno washbasin trap
PIPING PRODUCTS	10 year system warranty for Geberit HDPE, Geberit Pluvia, Geberit Sovent and 2 years on processing tools.

All other Geberit parts and accessories (i.e. batteries) purchased together with the Geberit product are covered under this warranty for 6 months.

GEBERIT LIMITED PRODUCT WARRANTY

LABOUR

The labour for the replacement of products to which this warranty applies will be provided by Geberit or relevant supplier using licensed trades people engaged by Geberit or relevant supplier within the warranty period.

Geberit and its authorised service plumbers will endeavour to fix the Geberit product on site. The claimant must provide reasonable access to the Geberit product during normal working hours to enable the service work to occur.

WARRANTY CLAIMS

If you purchased Geberit products in Australia or New Zealand, the following process applies

1. Contact authorised reseller or distributor where you purchased the Geberit products; and/or
2. Contact support.au@geberit.com or +61 2 9889 7866

WARRANTY EXCLUSIONS

This warranty is effective only if all of the following conditions apply:

- The item has been installed by a licensed plumber
- Failure is due to a fault in the construction, material or assembly of the product
- Proof of purchase (including the date of purchase) is provided
- The installation of the product is in accordance with the instructions provided

This warranty does not include faults caused by:

- Alterations to, or improper use of the product
- Incorrect installation or installation not in accordance with the instructions provided
- Installation or part installation by the purchaser or any person other than a licenced plumber
- Normal wear and tear
- Inadequate or complete lack of maintenance
- Chemical, electrochemical or electrical influences
- Harsh detergents or abrasive cleaners used on product finishes
- Excessive water pressure
- Incorrect operation or not following operating instructions
- Incorrect voltage or non-authorised electrical connections
- Use of non-authorised/non-standard parts
- Use of non-authorised calculation software
- Repair or other work carried out on Geberit products other than by an authorised service plumber

To the fullest extent permitted by law, Geberit excludes all liability for damage or injury to any person, damage to any property, and any indirect consequential or other loss or damage.



I'll show you how easy it is to install a Geberit concealed cistern

Adam Powell
Powell Plumbing

Adam Powell has been installing Geberit concealed cisterns for over 15 years. To help plumbers understand how easy and fast installation can be, we have developed a series of Installation videos with Adam that you can access on the [Geberit website video centre](#).

Available to view at:



INSTALLING A GEBERIT CONCEALED CISTERN, STEP BY STEP



Set out



Fixing



Connection



Flush water supply



Fit button

For further information contact your local Geberit sales team on **1800GEBERIT** or at sales.au@geberit.com

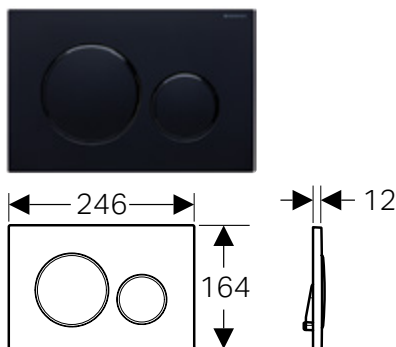
IN-WALL CISTERNS AND FLUSH BUTTONS



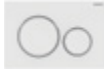


Find your style in the
Flush Button Showroom

IN-WALL CISTERNS AND FLUSH BUTTONS

SIGMA20 TONE IN TONE MECHANICAL DUAL FLUSH BUTTON AND ACCESS PLATE

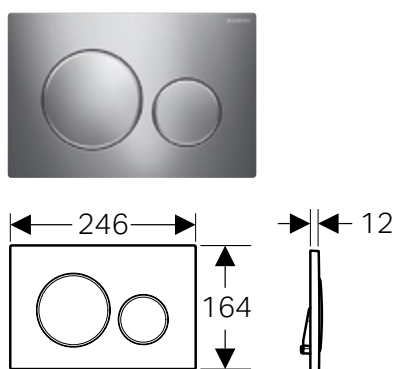








	ARTICLE NO.	COLOUR / SURFACE	RRP EX. GST	RRP INC. GST
	115.882.16.1	Plate and Buttons: matt black, fingerprint resistant Design Trim: black	\$182.73	\$201.00
	115.882.01.1	Plate and Buttons: matt white, fingerprint resistant Design Trim: white	\$182.73	\$201.00
	115.882.11.1	Plate and Buttons: white Design Trim: matt white	\$182.73	\$201.00

SPARE PARTS Refer to page 43

COMPATIBLE CISTERNS Sigma8 and Kappa with Sigma adapter
Compare designs at flushbuttons.geberit.com.au

SIGMA20 MECHANICAL DUAL FLUSH BUTTON AND ACCESS PLATE



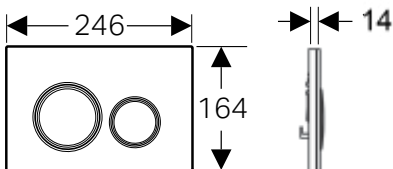
	ARTICLE NO.	COLOUR / SURFACE	RRP EX. GST	RRP INC. GST
	115.882.JQ.1	Plate and Buttons: matt chrome, fingerprint resistant Design Trim: chrome	\$182.73	\$201.00
	115.882.KH.1	Plate and Buttons: chrome Design Trim: matt chrome	\$182.73	\$201.00
	115.882.KJ.1	Plate and Buttons: white Design Trim: chrome	\$152.73	\$168.00
	115.882.KK.1	Plate and Buttons: white Design Trim: gold	\$255.45	\$281.00
	115.882.KM.1	Plate and Buttons: black Design Trim: chrome	\$182.73	\$201.00
	115.882.SN.1	Plate and Buttons: stainless steel, fingerprint resistant Design Trim: chrome	\$351.82	\$387.00
	115.889.SN.1	Plate and Buttons: stainless steel, fingerprint resistant, tamper proof fixing Design Trim: chrome	\$351.82	\$387.00

SPARE PARTS Refer to page 43

Compare designs at flushbuttons.geberit.com.au

IN-WALL CISTERNS AND FLUSH BUTTONS

SIGMA21 MECHANICAL DUAL FLUSH BUTTON AND ACCESS PLATE



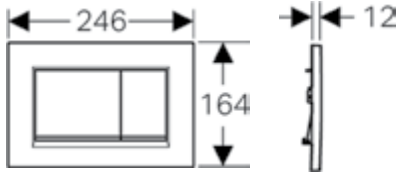
	ARTICLE NO.	COLOUR / SURFACE	RRP EX. GST	RRP INC. GST
	115.884.JM.1	Plate and Buttons: slate, fingerprint resistant Design Trim: chrome	\$458.18	\$504.00
	115.884.SI.1	Plate and Buttons: white Design Trim: chrome	\$381.82	\$420.00
	115.884.SJ.1	Plate and Buttons: black Design Trim: chrome	\$381.82	\$420.00
	115.884.00.1	Plate and Buttons: matt black Design Trim: chrome	\$512.73	\$564.00
	115.650.JM.1	Plate and Buttons: slate, fingerprint resistant Design Trim: red gold (NEW)	\$896.36	\$986.00
	115.650.JV.1	Plate and Buttons: concrete look Design Trim: red gold (NEW)	\$896.36	\$986.00
	115.650.SI.1	Plate and Buttons: white Design Trim: red gold (NEW)	\$901.82	\$992.00
	115.650.SJ.1	Plate and Buttons: black Design Trim: red gold (NEW)	\$901.82	\$992.00
	115.650.00.1	Plate and Buttons: matt black Design Trim: red gold (NEW)	\$751.82	\$827.00
	115.651.JM.1	Plate and Buttons: slate, fingerprint resistant Design Trim: black chrome (NEW)	\$891.82	\$981.00
	115.651.JV.1	Plate and Buttons: concrete look Design Trim: black chrome (NEW)	\$891.82	\$981.00
	115.651.SI.1	Plate and Buttons: white Design Trim: black chrome (NEW)	\$751.82	\$827.00
	115.651.SJ.1	Plate and Buttons: black Design Trim: black chrome (NEW)	\$751.82	\$827.00
	115.651.00.1	Plate and Buttons: matt black Design Trim: black chrome (NEW)	\$751.82	\$827.00
	115.652.JM.1	Plate and Buttons: slate, fingerprint resistant Design Trim: brass (NEW)	\$891.82	\$981.00
	115.652.JV.1	Plate and Buttons: concrete look Design Trim: brass (NEW)	\$891.82	\$981.00
	115.652.SI.1	Plate and Buttons: white Design Trim: brass (NEW)	\$751.82	\$827.00
	115.652.SJ.1	Plate and Buttons: black Design Trim: brass (NEW)	\$751.82	\$827.00
	115.652.00.1	Plate and Buttons: matt black Design Trim: brass (NEW)	\$751.82	\$827.00




SPARE PARTS Refer to page 43

Compare designs at flushbuttons.geberit.com.au

IN-WALL CISTERNS AND FLUSH BUTTONS

SIGMA30 TONE IN TONE MECHANICAL DUAL FLUSH BUTTON AND ACCESS PLATE

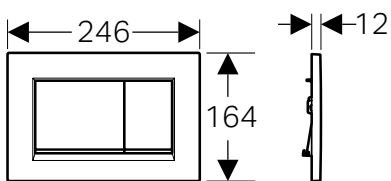







	ARTICLE NO.	COLOUR / SURFACE	RRP EX. GST	RRP INC. GST
	115.883.16.1	Plate and Buttons: matt black, fingerprint resistant Design Trim: black	\$152.73	\$168.00
	115.883.01.1	Plate and Buttons: matt white, fingerprint resistant Design Trim: white	\$152.73	\$168.00
	115.883.11.1	Plate and Buttons: white Design Trim: matt white	\$152.73	\$168.00

SPARE PARTS Refer to page 43

COMPATIBLE CISTERNS Sigma8 and Kappa with Sigma adapter
Compare designs at flushbuttons.geberit.com.au

SIGMA30 MECHANICAL DUAL FLUSH BUTTON AND ACCESS PLATE



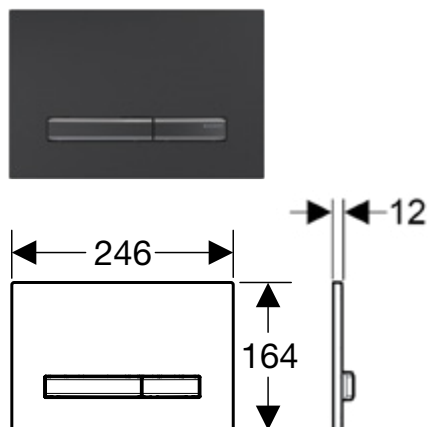
	ARTICLE NO.	COLOUR / SURFACE	RRP EX. GST	RRP INC. GST
	115.883.JQ.1	Plate and Buttons: matt chrome, fingerprint resistant Design Trim: chrome	\$152.73	\$168.00
	115.883.KH.1	Plate and Buttons: chrome Design Trim: matt chrome	\$152.73	\$168.00
	115.883.KJ.1	Plate and Buttons: white Design Trim: chrome	\$133.64	\$147.00
	115.883.KK.1	Plate and Buttons: white Design Trim: gold	\$152.73	\$168.00
	115.883.KM.1	Plate and Buttons: black Design Trim: chrome	\$133.64	\$147.00

SPARE PARTS Refer to page 43

CISTERNS Sigma8 and Kappa with Sigma adapter
Compare designs at flushbuttons.geberit.com.au

IN-WALL CISTERNS AND FLUSH BUTTONS

SIGMA50 TONE IN TONE MECHANICAL DUAL FLUSH BUTTON AND ACCESS PLATE



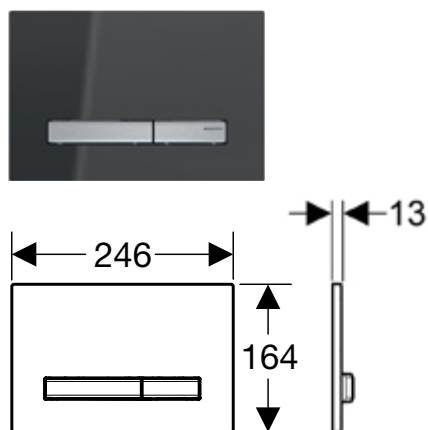
ARTICLE NO.	COLOUR / SURFACE	RRP EX. GST	RRP INC. GST
115.670.QB.2	Plate: red gold brushed, fingerprint resistant Buttons: red gold (NEW)	\$981.82	\$1,080.00
115.671.QD.2	Plate: black chrome brushed, fingerprint resistant Buttons: black chrome (NEW)	\$981.82	\$1,080.00
115.672.QF.2	Plate: brass brushed, fingerprint resistant Buttons: brass (NEW)	\$981.82	\$1,080.00

SPARE PARTS Refer to page 43

COMPATIBLE CISTERNS Sigma8 and Kappa with Sigma adapter

Compare designs at flushbuttons.geberit.com.au

SIGMA50 MECHANICAL DUAL FLUSH BUTTON AND ACCESS PLATE



ARTICLE NO.	COLOUR / SURFACE	RRP EX. GST	RRP INC. GST
115.788.11.2	Plate: white Buttons: brushed chrome	\$390.00	\$429.00
115.788.DW.2	Plate: black Buttons: brushed chrome	\$390.00	\$429.00
115.788.JM.2	Plate: slate Buttons: brushed chrome	\$487.27	\$536.00
115.788.SD.2	Plate: smoked reflective Buttons: brushed chrome	\$487.27	\$536.00

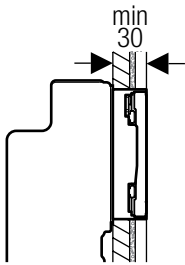
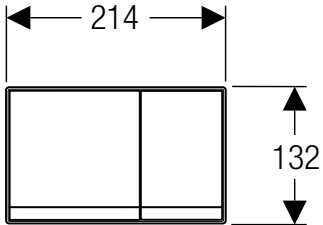
SPARE PARTS Refer to page 43

COMPATIBLE CISTERNS Sigma8 and Kappa with Sigma adapter

Compare designs at flushbuttons.geberit.com.au

IN-WALL CISTERNS AND FLUSH BUTTONS

SIGMA60 MECHANICAL DUAL FLUSH BUTTON AND ACCESS PLATE



ARTICLE NO.	COLOUR / SURFACE	RRP EX. GST	RRP INC. GST
115.640.GH.1	Buttons: brushed chrome, fingerprint resistant Design Trim: chrome	\$513.64	\$565.00
115.640.SI.1	Buttons: white Design Trim: chrome	\$513.64	\$565.00
115.640.SJ.1	Buttons: black Design trim: chrome	\$513.64	\$565.00
ACCESSORIES			
115.641.GH.1	Sigma60 brushed chrome edge cover frame, metal (optional)	\$200.91	\$221.00
115.641.21.1	Sigma60 chrome edge cover frame, metal (optional)	\$152.73	\$168.00

SPARE PARTS Refer to page 42

COMPATIBLE CISTERNS Sigma8

Note: Sigma60 requires minimum 30mm wall lining/thickness for the button to sit flush with the wall.

Compare designs at flushbuttons.geberit.com.au

IN-WALL CISTERNS AND FLUSH BUTTONS

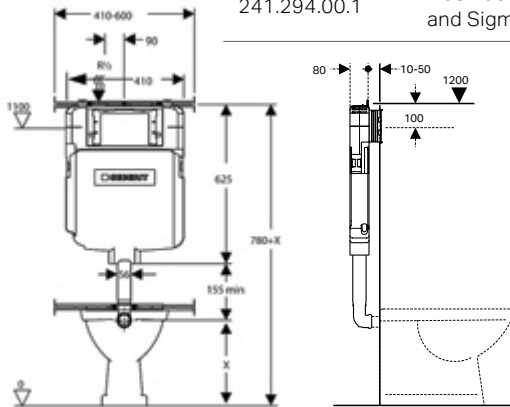
SIGMA8 CONCEALED CISTERN – BACK TO WALL



ARTICLE NO.	DESCRIPTION	RRP EX. GST	RRP INC. GST
109.794.00.1	Sigma8 Concealed Cistern front flush 3 star	\$472.73	\$520.00
109.795.00.1	Sigma8 Concealed Cistern front flush 4 star	\$472.73	\$520.00

ACCESSORIES

241.294.00.1	Flush bend for brick wall installation UP700, Sigma75 and Sigma8 cistern	\$15.45	\$17.00
--------------	--	---------	---------



SPARE PARTS Refer to page 33

FEATURES Suits S or P trap BTW pans, Operating pressure 10-1000kpa, HDPE one piece tank

COMPATIBLE FLUSH BUTTONS All Sigma range, remote for Sigma8 in-wall

Note: Sigma60 requires minimum 30mm wall thickness

Find out more with the [Product Catalogue](#)

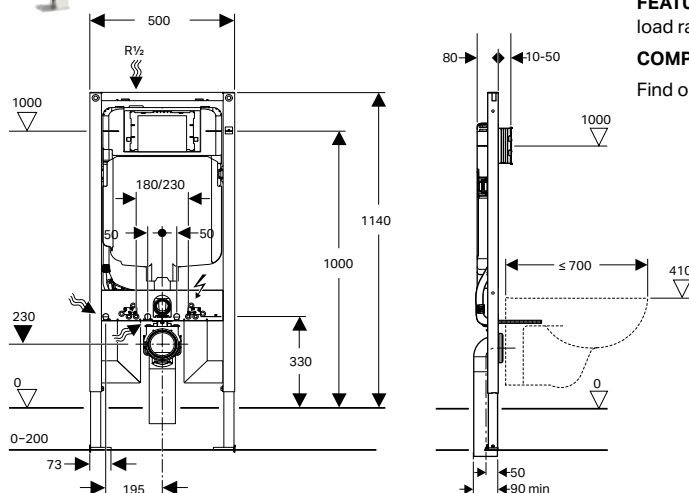
SIGMA8 DUOFIX FRAME CONCEALED CISTERN (80MM) – WALL HUNG



ARTICLE NO.	DESCRIPTION	RRP EX. GST	RRP INC. GST
111.697.00.1	Sigma8 Duofix frame concealed cistern front flush 3 star	\$845.45	\$930.00
111.698.00.1	Sigma8 Duofix frame concealed cistern front flush 4 star	\$845.45	\$930.00

ACCESSORIES

111.815.00.1	Duofix brick wall fastening set 135-200mm	\$57.27	\$63.00
152.426.46.1	Pan connection set white with pan collar and flush Pipe	\$66.36	\$73.00
170.317.00.1	Contact/sound insulation foam sheet for wall hung toilet	\$34.55	\$38.00



SPARE PARTS Refer to page 34

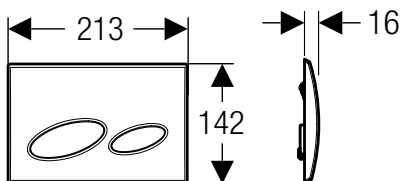
FEATURES Suits wall hung pans, Operating pressure 10-1000kpa, 400kg load rated frame, Fits 90mm stud wall, HDPE one piece tank




COMPATIBLE FLUSH BUTTONS All Sigma range

Find out more with the [Product Catalogue](#)

UNDER COUNTER CISTERNS AND FLUSH BUTTONS

KAPPA20 MECHANICAL DUAL FLUSH BUTTON AND ACCESS PLATE



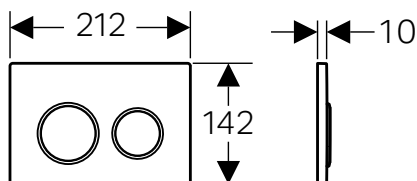
	ARTICLE NO.	COLOUR / SURFACE	RRP EX. GST	RRP INC. GST
	115.228.11.1	Plate and Buttons: white	\$133.64	\$147.00
	115.228.21.1	Plate and Buttons: chrome	\$217.27	\$239.00
	115.228.46.1	Plate and Buttons: matt chrome	\$217.27	\$239.00






SPARE PARTS Refer to page 43

COMPATIBLE CISTERN Kappa cistern

Compare designs at flushbuttons.geberit.com.au

KAPPA21 MECHANICAL DUAL FLUSH BUTTON AND ACCESS PLATE



	ARTICLE NO.	COLOUR / SURFACE	RRP EX. GST	RRP INC. GST
	115.240.KJ.1	Plate and Buttons: white Design Trim: chrome	\$156.36	\$172.00
	115.240.KH.1	Plate and Buttons: bright chrome Design Trim: matt chrome	\$187.27	\$206.00
	115.240.KN.1	Plate and Buttons: matt chrome Design Trim: chrome	\$187.27	\$206.00
	115.240.KK.1	Plate and Buttons: white Design Trim: gold	\$206.36	\$227.00
	115.240.KM.1	Plate and Buttons: black Design Trim: chrome	\$187.27	\$206.00

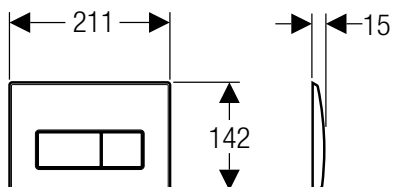
SPARE PARTS Refer to page 43





COMPATIBLE CISTERN Kappa cistern

Compare designs at flushbuttons.geberit.com.au

UNDER COUNTER CISTERNS AND FLUSH BUTTONS

KAPPA50 MECHANICAL DUAL FLUSH BUTTON AND ACCESS PLATE



	ARTICLE NO.	COLOUR / SURFACE	RRP EX. GST	RRP INC. GST
	115.258.00.1	Plate and Buttons: brushed stainless steel	\$360.00	\$396.00
	115.260.11.1	Plate and Buttons: white (metal)	\$360.00	\$396.00
	115.260.21.1	Plate and Buttons: chrome (metal)	\$387.27	\$426.00
	115.260.46.1	Plate and Buttons: matt chrome (metal)	\$387.27	\$426.00

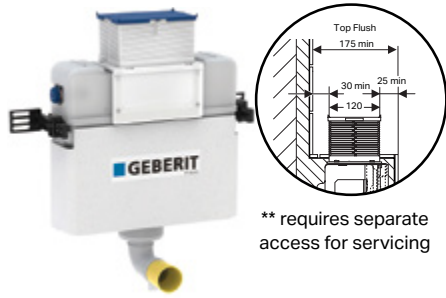
SPARE PARTS Refer to page 43

COMPATIBLE CISTERNS Kappa cistern

Compare designs at flushbuttons.geberit.com.au

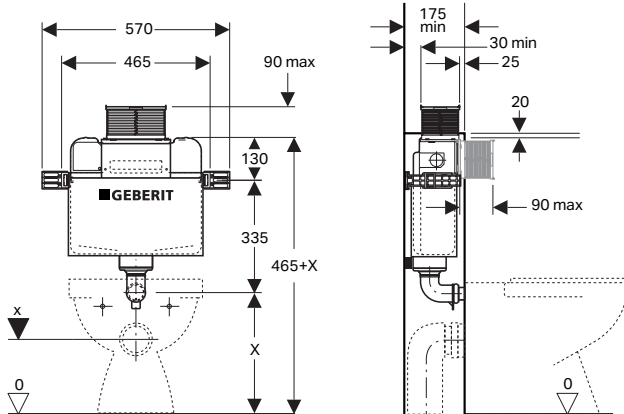
UNDER COUNTER CISTERNS AND FLUSH BUTTONS

KAPPA UNDER COUNTER CONCEALED CISTERN – BACK TO WALL (BTW)



** requires separate access for servicing

ARTICLE NO.	DESCRIPTION	RRP EX. GST	RRP INC. GST
110.206.00.1	Kappa Concealed Cistern top/front flush H820mm 3 star	\$472.73	\$520.00
110.208.00.1	Kappa Concealed Cistern top/front flush H820mm 4 star	\$472.73	\$520.00
ACCESSORIES			
225.008.00.1	Sigma adapter for Kappa under counter cisterns – only for use with Sigma flush plate, must be installed at rough in	\$31.82	\$35.00



SPARE PARTS Refer to page 35

FEATURES Suits S or P trap BTW pans, Operating pressure 10-1000kpa, Front or top flush, Mechanical or pneumatic operation

COMPATIBLE MECHANICAL OR PNEUMATIC BUTTONS Kappa20, Kappa21, Kappa50, Remote for Kappa – in vanity installation**, Sigma20, 21, 30, 50 flush buttons with Sigma adapter box fitted at rough in

Find out more at geberit.com.au

UNDER COUNTER CISTERNS AND FLUSH BUTTONS

KAPPA MID LEVEL CONCEALED CISTERN – WITH ADJUSTABLE FLUSH PIPE FOR BTW PANS



ARTICLE NO.	DESCRIPTION	RRP EX. GST	RRP INC. GST
224.368.00.1	Kappa mid level cistern 4 star	\$472.73	\$520.00

ACCESSORIES

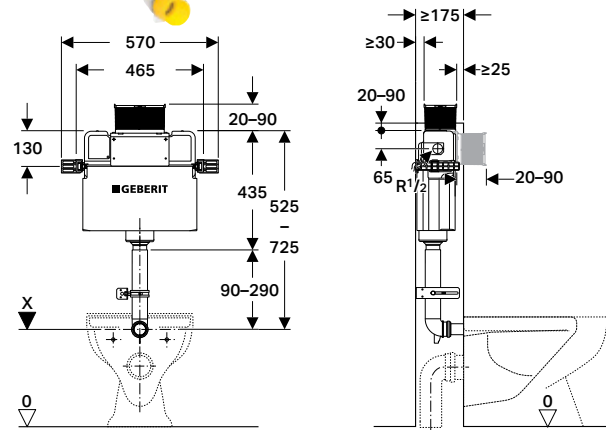
152.170.16.1	HDPE flush pipe Ø 45mm, 1m long	\$18.18	\$20.00
--------------	---------------------------------	---------	---------

SPARE PARTS Refer to page 36

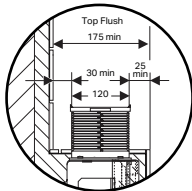
FEATURES Adjustable flush bends for BTW pans, Suits S or P trap BTW pans, Operating pressure 10-1000kpa, Front or top flush, Mechanical or pneumatic operation

COMPATIBLE MECHANICAL OR PNEUMATIC BUTTONS Kappa20, Kappa21, Kappa50, Remote for Kappa – in vanity installation**, Sigma20, 21, 30, 50 flush buttons with Sigma adapter box fitted at rough in for the cistern.

Find out more at geberit.com.au



KAPPA DUOFIX FRAME UNDER COUNTER CONCEALED CISTERN – WALL HUNG



** requires separate access for servicing

ARTICLE NO.	DESCRIPTION	RRP EX. GST	RRP INC. GST
111.262.00.1	Kappa Duofix Frame Concealed Cistern top/front flush 3 star	\$845.45	\$930.00
111.263.00.1	Kappa Duofix Frame Concealed Cistern top/front flush 4 star	\$845.45	\$930.00

ACCESSORIES

111.815.00.1	Duofix brick wall fastening set 135-200mm	\$57.27	\$63.00
170.317.00.1	Contact/sound insulation foam sheet for wall hung toilet	\$34.55	\$38.00
366.887.16.1	P-trap adapter HDPE – Ø 90mm, L=310mm	\$48.18	\$53.00
366.061.16.1	HDPE outlet bend 90/90mm for wall hung toilet	\$38.18	\$42.00
225.008.00.1	Sigma adapter for Kappa under counter cisterns – only for use with Sigma flush plate, must be installed at rough in	\$31.82	\$35.00

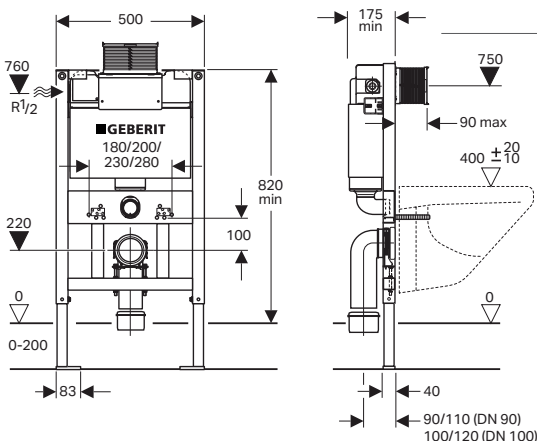
SPARE PARTS Refer to page 37

FEATURES FOR LOW LEVEL INSTALLATIONS Suits wall hung pans, Operating pressure 10-1000kpa, Front or top flush, Mechanical or pneumatic operation, 400kg load rated frame

COMPATIBLE MECHANICAL OR PNEUMATIC BUTTONS, Kappa20, Kappa21, Kappa50, Remote for Kappa – in vanity installation**, Sigma20, 21, 30, 50 flush buttons with Sigma adapter box fitted at rough in.

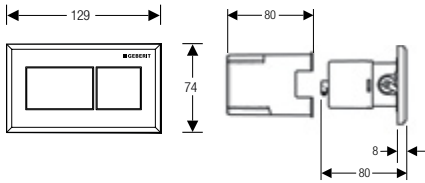
** requires separate access for servicing




Find out more at geberit.com.au



REMOTE CISTERNS AND FLUSH BUTTONS

KAPPA PNEUMATIC SQUARE BUTTONS



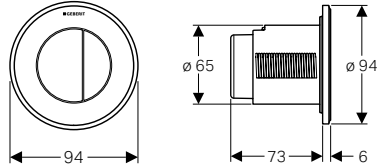
	ARTICLE NO.	COLOUR / SURFACE	RRP EX. GST	RRP INC. GST
	115.932.KA.1	Plate: chrome Buttons: brushed chrome	\$208.18	\$229.00
	115.932.KT.1	Plate: white Buttons: brushed chrome	\$208.18	\$229.00
	115.932.KV.1	Plate: black Buttons: brushed chrome	\$208.18	\$229.00






COMPATIBLE CISTERNS All Kappa

** Service access required for the cistern

Compare designs at flushbuttons.geberit.com.au

TYP10 PNEUMATIC REMOTE BUTTON FOR SIGMA8 CISTERN



	ARTICLE NO.	COLOUR / SURFACE	RRP EX. GST	RRP INC. GST
	116.056.KH.1	Collar and Buttons: chrome Design Trim: matt chrome	\$170.91	\$188.00
	116.056.KJ.1	Collar and Buttons: white Design Trim: chrome	\$152.73	\$168.00
	116.056.KK.1	Collar and Buttons: white Design Trim: gold	\$350.91	\$386.00
	116.056.KM.1	Collar and Buttons: black Design Trim: chrome	\$170.91	\$188.00
	116.056.JQ.1	Collar and Buttons: matt chrome, fingerprint resistant Design Trim: chrome (NEW)	\$179.09	\$197.00

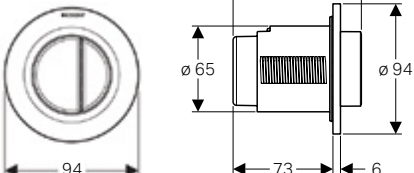
COMPATIBLE CISTERNS Sigma8

6mm pneumatic hose

Service access required for the cistern for in-wall applications

Compare designs at flushbuttons.geberit.com.au

TYP01 RAISED PNEUMATIC REMOTE BUTTON FOR SIGMA8 CISTERN



	ARTICLE NO.	COLOUR / SURFACE	RRP EX. GST	RRP INC. GST
	116.045.11.1	Plate and Raised Buttons: white (ABS)	\$152.73	\$168.00

COMPATIBLE CISTERNS Sigma8

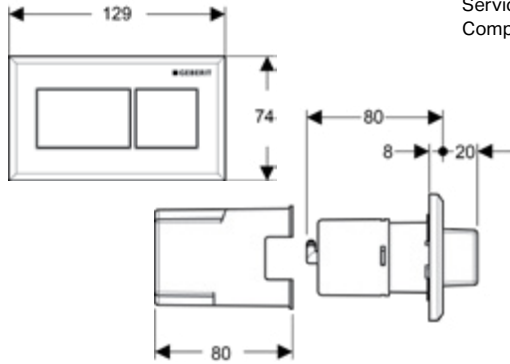
6mm pneumatic hose

Service access required for the cistern for in-wall applications

Compare designs at flushbuttons.geberit.com.au

REMOTE CISTERNS AND FLUSH BUTTONS

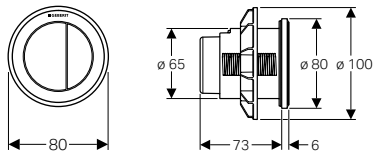
SIGMA RAISED PNEUMATIC SQUARE REMOTE BUTTON



ARTICLE NO.	COLOUR / SURFACE	RRP EX. GST	RRP INC. GST
115.934.21.1	Plate and Raised Buttons: chrome (ABS)	\$152.73	\$168.00

COMPATIBLE CISTERNS Sigma8
 6mm pneumatic hose
 Service access required for the cistern for applications with access to the back of the button
 Compare designs at flushbuttons.geberit.com.au

TYP10 PNEUMATIC REMOTE BUTTON FOR KAPPA CISTERN

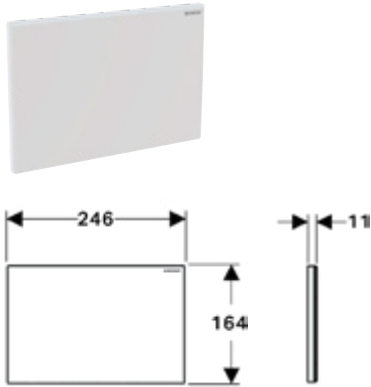






ARTICLE NO.	COLOUR / SURFACE	RRP EX. GST	RRP INC. GST
116.057.KH.1	Collar and Buttons: chrome Design Trim: matt chrome	\$170.91	\$188.00
116.057.KJ.1	Collar and Buttons: white Design Trim: chrome	\$152.73	\$168.00
116.057.KK.1	Collar and Buttons: white Design Trim: gold	\$241.82	\$266.00
116.057.KM.1	Collar and Buttons: black Design Trim: chrome	\$152.73	\$168.00
116.057.JQ.1	Collar and Buttons: matt chrome, fingerprint resistant Design Trim: chrome (NEW)	\$179.09	\$197.00

COMPATIBLE CISTERNS All Kappa
 6mm pneumatic hose
 Service access required for the cistern for applications with access to the back of the button
 Compare designs at flushbuttons.geberit.com.au

REMOTE CISTERNS AND FLUSH BUTTONS

SIGMA REMOTE ACCESS PLATE



	ARTICLE NO.	COLOUR / SURFACE	RRP EX. GST	RRP INC. GST
	115.768.11.1	Plate: white	\$34.55	\$38.00
	115.768.21.1	Plate: chrome	\$56.36	\$62.00
	115.768.46.1	Plate: matt chrome	\$59.09	\$65.00
	115.764.FW.1	Plate: stainless Steel with tamper proof fixing	\$98.18	\$108.00

Compare designs at flushbuttons.geberit.com.au

REMOTE INSTALLATION IN ACCESSORIES

ARTICLE NO.	DESCRIPTION	RRP EX. GST	RRP INC. GST
225.168.00.1	Flush pipe adapter for Sigma cisterns	\$9.09	\$10.00
242.848.00.1	Dual flush pneumatic hose extension kit 6mm including connectors	\$38.18	\$42.00
240.476.00.1	Flow restrictor for in ceiling installation	\$12.73	\$14.00
118.026.11.1	Flush pipe 250mm including cover for exposed installations white	\$32.73	\$36.00
118.026.21.1	Flush pipe 250mm including cover for exposed installations chrome	\$50.91	\$56.00
152.170.16.1	HDPE flush pipe Ø 45mm, 1m long	\$18.18	\$20.00
241.294.00.1	Flush bend for brick wall installation UP700, Sigma75 and Sigma8 cistern	\$15.45	\$17.00
224.053.00.1	Geberit Duofix element for wall-hung toilet, 52cm, without cistern	\$362.73	\$399.00
225.180.00.1	Geberit Duofix chair bracket accessory package AU (This is a required accessory with the Duofix element 224.053.00.1)	\$112.73	\$124.00
241.899.00.1	HDPE connection S-bend, Ø 90mm L=410mm for wall hung toilet	\$48.18	\$53.00
243.126.FW.1	Pneumatic dual flush plate brushed stainless steel for Sigma cistern service	\$76.36	\$84.00

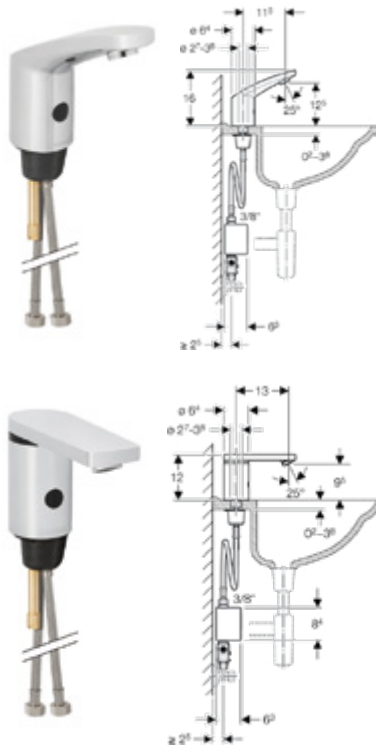
BATHROOM ACCESSORIES



Find out more at
[geberit.com.au](https://www.geberit.com.au)

TAPS AND TRAPS

SENSOR TAPS



ARTICLE NO.	DESCRIPTION	RRP EX. GST	RRP INC. GST
116.365.21.1	HyTronic sensor tap Typ185 chrome, battery and power generator with mixer set at installation for blended water	\$1,015.45	\$1,117.00
116.366.21.1	HyTronic sensor tap Typ186 chrome, battery and power generator with mixer set at installation for blended water	\$1,015.45	\$1,117.00
SPARE PARTS			
242.266.00.1	Geberit solenoid valve for washbasin taps Typ 185 and Typ 186	\$172.73	\$190.00

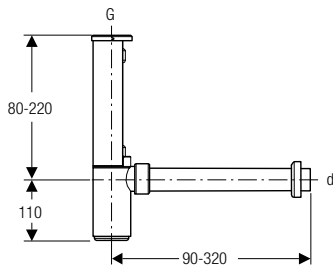
FEATURES Self generating power supply, Touch free operation
Find out more with the [Product Catalogue](#)

DISENO BOTTLE TRAP



ARTICLE NO.	DESCRIPTION	RRP EX. GST	RRP INC. GST
170.130.21.1	Diseno chrome bottle trap 1 1/2" x 40mm including adapter 1 1/2" x 1 1/4"	\$104.55	\$115.00
ACCESSORIES			
219.225.00.0	Kee seal 40 x 43mm for Diseno trap	\$8.18	\$9.00

FEATURES Chrome plated ABS plastic, Connection set to 40mm DW socket, Adapter for 32mm basin plugs, Variable length adjustment
Find out more with the [Product Catalogue](#)



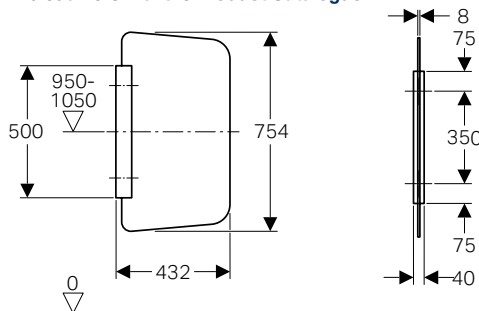
URINAL AND BRACKET SYSTEMS

URINAL PARTITION WALLS



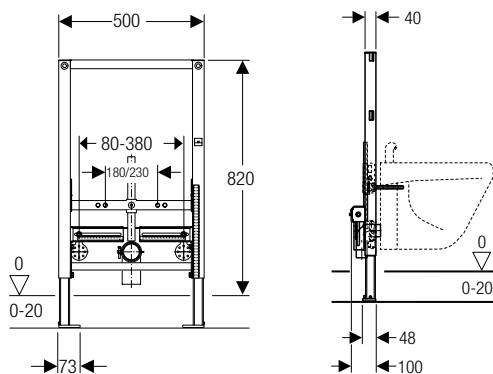
ARTICLE NO.	DESCRIPTION	RRP EX. GST	RRP INC. GST
115.211.TD.1	Urinal partition glass rectangular, white	\$898.18	\$988.00
115.211.CD.1	Urinal partition glass rectangular, grey	\$898.18	\$988.00

Find out more with the [Product Catalogue](#)

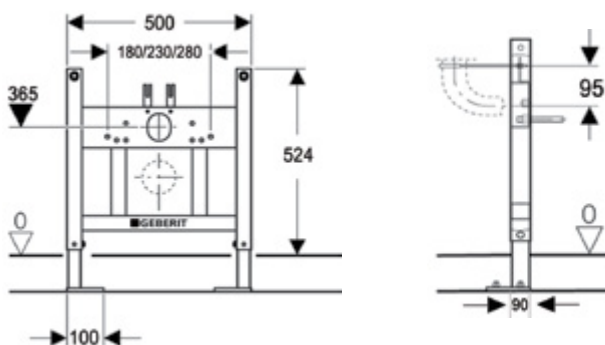
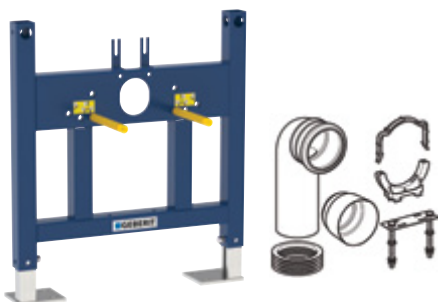


DUOFIX FRAMES

BIDET



DUOFIX CHAIR BRACKET AND ACCESSORY PACK FOR WALL HUNG PANS (NEW)



ARTICLE NO.	DESCRIPTION	RRP EX. GST	RRP INC. GST
111.524.00.1	Duofix frame bidet	\$371.82	\$409.00
224.053.00.1	Geberit Duofix element for wall-hung toilet, 52cm, without cistern	\$362.73	\$399.00
225.180.00.1	Geberit Duofix chair bracket accessory package AU (This is a required accessory with the Duofix element 224.053.00.1)	\$112.73	\$124.00

ACCESSORIES

366.887.16.1	P-trap adapter HDPE - Ø 90mm, L=310mm	\$48.18	\$53.00
170.317.00.1	Contact/sound insulation foam sheet for wall hung toilet	\$34.55	\$38.00
111.815.00.1	Duofix brick wall fastening set 135-200mm	\$57.27	\$63.00

Find out more with the [Product Catalogue](#)

INLET VALVES

FORS INLET VALVE

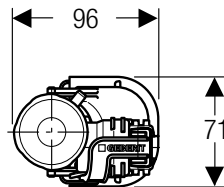
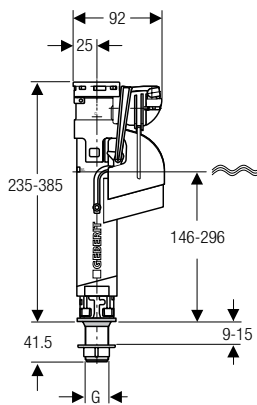


ARTICLE NO.	DESCRIPTION	RRP EX. GST	RRP INC. GST
222.100.00.1	Fors Typ360 bottom inlet valve 1/2" (20 box quantity)	\$23.64	\$26.00

SPARE PARTS

242.487.00.1	Diaphragm and lever kit, for Fors Typ360 bottom inlet	\$7.27	\$8.00
--------------	---	--------	--------

FEATURES For bottom inlet, VC and Plastic exposed cisterns, Adjustable height, 10-1000KPA, Quiet and fast filling
Find out more at geberit.com.au



TYP380 INLET VALVE

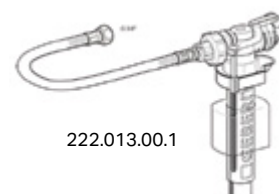
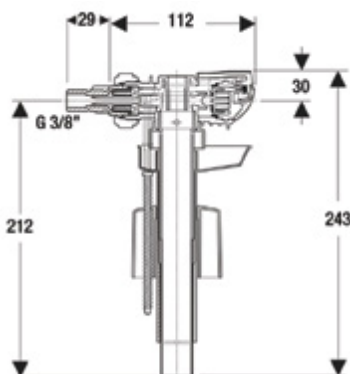


ARTICLE NO.	DESCRIPTION	RRP EX. GST	RRP INC. GST
222.012.00.1	Typ380 inlet valve with 1/2" nipple and back nut	\$77.27	\$85.00
222.011.00.1	Typ380 inlet valve with 3/8" nipple short including accessories	\$74.55	\$82.00
222.026.00.1	Typ380 with long 3/8" stratos nipple	\$80.00	\$88.00
222.013.00.1	Typ380 inlet valve with flex hose 3/8" for back inlet cistern	\$80.91	\$89.00
222.018.00.1	Typ380 old style servo valve replacement kit	\$56.36	\$62.00

SPARE PARTS

240.989.00.1	Flexible hose with 3/8" female nut for rear inlet valve Typ380 (222.013)	\$29.09	\$32.00
242.752.00.1	1/2" flex hose L295mm pair with 222.018.00.1	\$22.73	\$25.00
274.400.00.1	Typ380 inlet valve clip, for mounting onto outlet valves	\$7.27	\$8.00
170.360.00.1	Typ380 diaphragm and lever	\$7.27	\$8.00

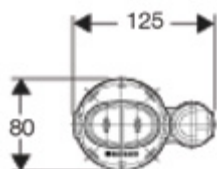
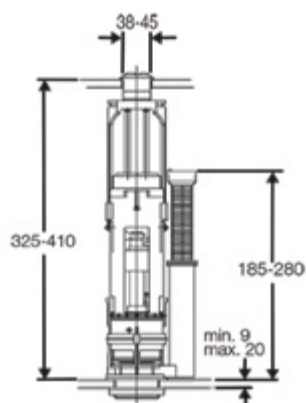
FEATURES Back or side inlet VC, plastic or concealed cisterns
Find out more at geberit.com.au



222.013.00.1

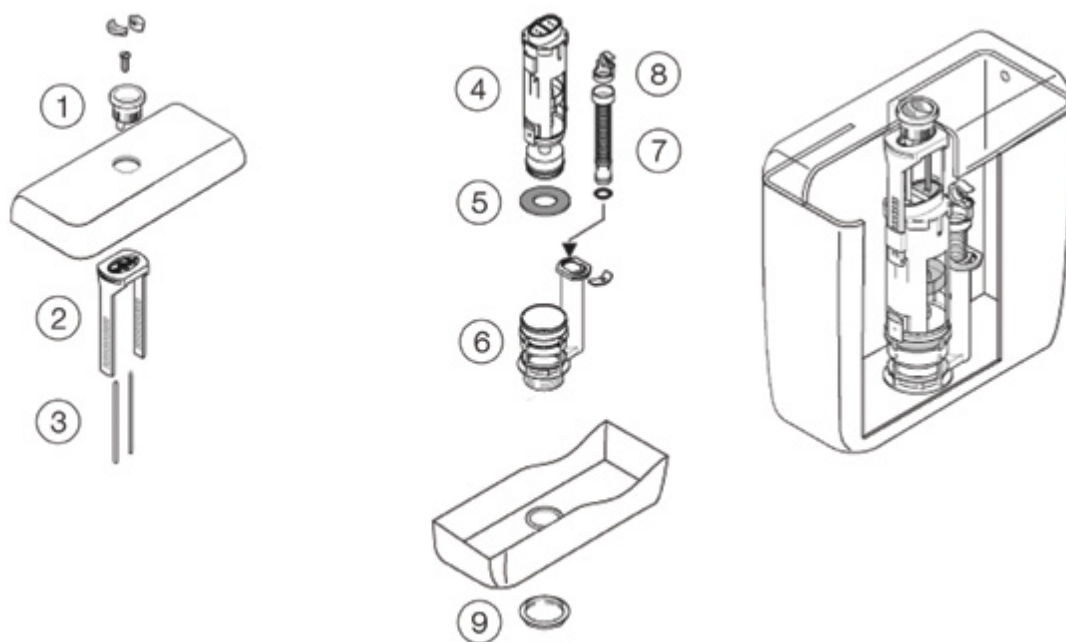
OUTLET VALVES FOR EXPOSED CISTERNS

TYP250 FOR CLOSE COUPLED CISTERNS



ARTICLE NO.	POS	DESCRIPTION	RRP EX. GST	RRP INC. GST
222.240.00.1		Typ250 dual flush outlet valve for Close Coupled cisterns with lid attachment complete	\$104.55	\$115.00
ACCESSORIES				
274.400.00.1		Typ380 inlet valve clip, for mounting onto outlet valves	\$7.27	\$8.00
240.275.00.1	1	Dual flush button complete satin/chrome, for Typ250	\$26.36	\$29.00
SPARE PARTS				
170.350.00.1	2	Cistern lid bracket, for Typ250	\$14.55	\$16.00
170.351.00.1	3	Actuator rod set, for Typ250, half+full flush	\$7.27	\$8.00
225.112.00.1	4	Typ250 outlet valve mechanism including seal	\$68.18	\$75.00
816.418.00.1	5	Outlet valve seal/washer, silicone size 63mm x 32mm	\$9.09	\$10.00
170.421.00.1	6	Typ250 basket complete with overflow pipe fixing clip (RUN OUT LINE)	\$33.64	\$37.00
170.482.00.1	7	Typ250/280/290 overflow pipe (RUN OUT LINE)	\$13.64	\$15.00
274.400.00.1	8	Typ380 inlet valve clip, for mounting onto outlet valves	\$7.27	\$8.00
170.498.00.1	9	Outlet valve nut for Typ250/280/290 (RUN OUT LINE)	\$8.18	\$9.00

FEATURES For close coupled cisterns
Find out more at geberit.com.au



OUTLET VALVES FOR EXPOSED CISTERNS

TYP250 FOR LINKED CISTERNS



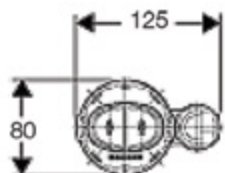
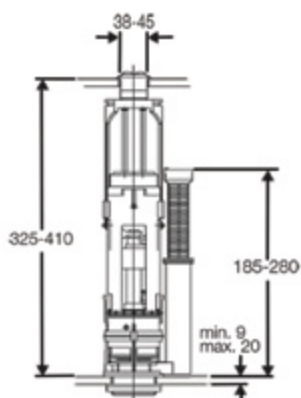
ARTICLE NO.	POS	56.15	RRP EX. GST	RRP INC. GST
222.241.00.1		Typ250 dual flush outlet valve for connector cisterns with lid attachment complete	\$106.36	\$117.00

ACCESSORIES

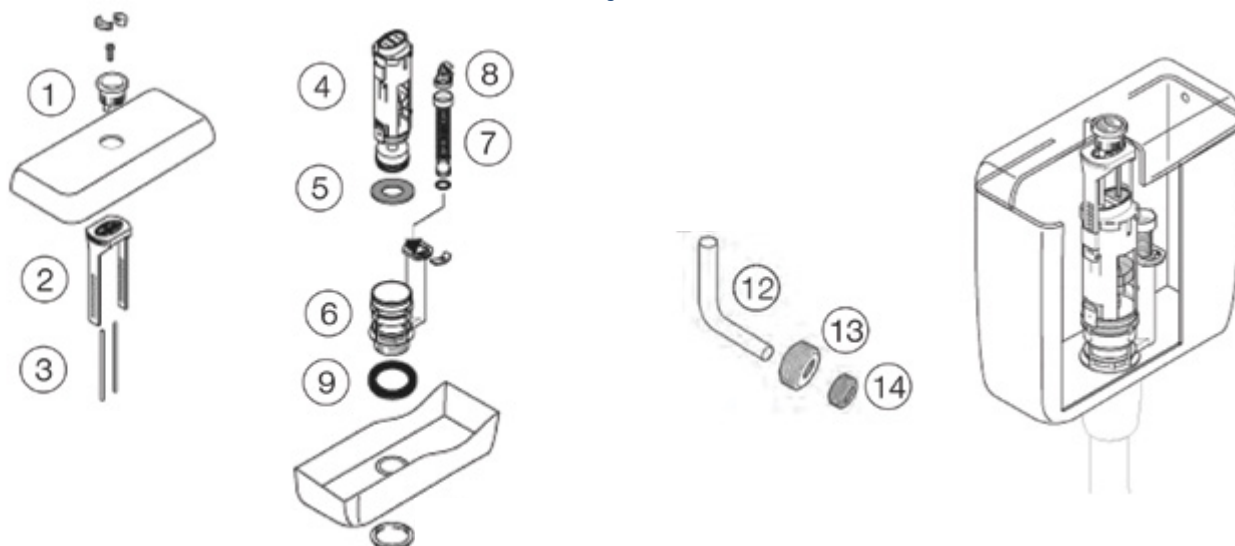
118.006.11.1		Flush bend white, Ø 50mm x 45mm, for Vanity-Set/Monolith toilet	\$31.82	\$35.00
119.668.00.1		Kee seal for flush pipe 52-56mm	\$10.91	\$12.00
240.775.00.1		Kee seal for flush pipe 55-60mm	\$12.73	\$14.00
274.400.00.1		Typ380 inlet valve clip, for mounting onto outlet valves	\$7.27	\$8.00

SPARE PARTS

240.275.00.1	1	Dual flush button complete satin/chrome, for Typ250	\$26.36	\$29.00
170.350.00.1	2	Cistern lid bracket, for Typ250	\$14.55	\$16.00
170.351.00.1	3	Actuator rod set, for Typ250, half+full flush	\$7.27	\$8.00
225.112.00.1	4	Typ250 outlet valve mechanism including seal	\$68.18	\$75.00
816.418.00.1	5	Outlet valve seal/washer, silicone size 63mm x 32mm	\$9.09	\$10.00
170.423.00.1	6	Typ250 basket including nut and seal, thread 45mm long (RUN OUT LINE)	\$32.73	\$36.00
170.482.00.1	7	Typ250/280/290 overflow pipe (RUN OUT LINE)	\$13.64	\$15.00
274.400.00.1	8	Typ380 inlet valve clip, for mounting onto outlet valves	\$7.27	\$8.00
241.811.00.1	9	Impuls basket seal (EPDM)	\$31.82	\$35.00
118.006.11.1	12	Flush bend white, Ø 50mm x 45mm, for Vanity-Set/Monolith toilet	\$31.82	\$35.00
240.775.00.1	13	Kee seal for flush pipe 55-60mm	\$12.73	\$14.00
119.668.00.1	14	Kee seal for flush pipe 52-56mm	\$10.91	\$12.00

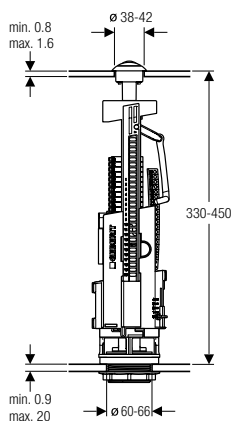


Find out more at geberit.com.au



OUTLET VALVES FOR EXPOSED CISTERNS

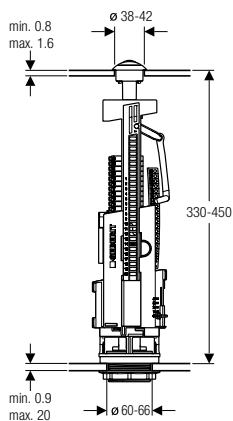
TYP260 FOR CLOSE COUPLED CISTERNS



ARTICLE NO.	DESCRIPTION	RRP EX. GST	RRP INC. GST
223.003.21.1	Typ260 outlet valve complete	\$80.00	\$88.00
816.418.00.1	Outlet valve seal/washer, silicone size 63mm x 32mm	\$9.09	\$10.00

FEATURES For close coupled cisterns
Find out more at geberit.com.au

TYP260 FOR CLOSE COUPLED CISTERNS WITH CUSTOMISED BUTTONS



ARTICLE NO.	DESCRIPTION	RRP EX. GST	RRP INC. GST
223.002.00.1	Typ260 outlet valve, for customised actuator (RUN OUT LINE)	\$76.36	\$84.00
816.418.00.1	Outlet valve seal/washer, silicone size 63mm x 32mm	\$9.09	\$10.00

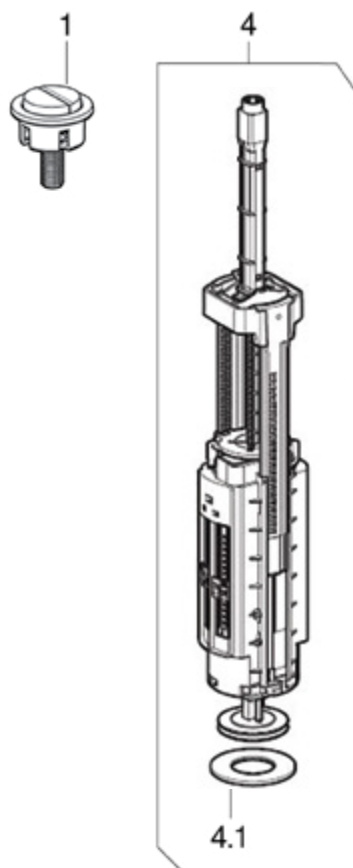
FEATURES For close coupled cisterns with customised buttons
*Button not included
Find out more at geberit.com.au

OUTLET VALVES FOR EXPOSED CISTERNS

TYP290 DUAL FLUSH OUTLET VALVE



ARTICLE NO.	POS	DESCRIPTION	RRP EX. GST	RRP INC. GST
272.400.21.1		Typ290 Outlet Valve complete (325-465mm) (Fits Typ250 and 280: 38mm button with CC basket)	\$87.27	\$96.00
282.303.21.2		Typ290 Outlet Valve complete (325-465mm) replaces 18-50mm button (Fits Typ250 and 280 basket)	\$90.91	\$100.00
SPARE PARTS				
243.318.21.1	1	Actuator dual f SV Typ290	\$60.00	\$66.00
243.430.00.1	4	Typ290 Outet valve long extension 460-600mm	\$70.00	\$77.00
816.418.00.1	4.1	Outlet valve seal/washer, silicone size 63mm x 32mm	\$9.09	\$10.00
274.400.00.1	5.1	Typ380 inlet valve clip, for mounting onto outlet valves	\$7.27	\$8.00
241.801.00.1		Typ280/290 outlet valve basket short thread, with seal and nut for CC cisterns	\$31.82	\$35.00
241.825.00.1		Typ280/290 outlet valve basket, long thread, with seal and nut for connector cisterns	\$31.82	\$35.00
170.349.00.1		Seal CC Cistern 110mm x 87mm x 15mm (RUN OUT LINE)	\$8.18	\$9.00



Find out more at geberit.com.au



SPARE PARTS CONCEALED CISTERNS

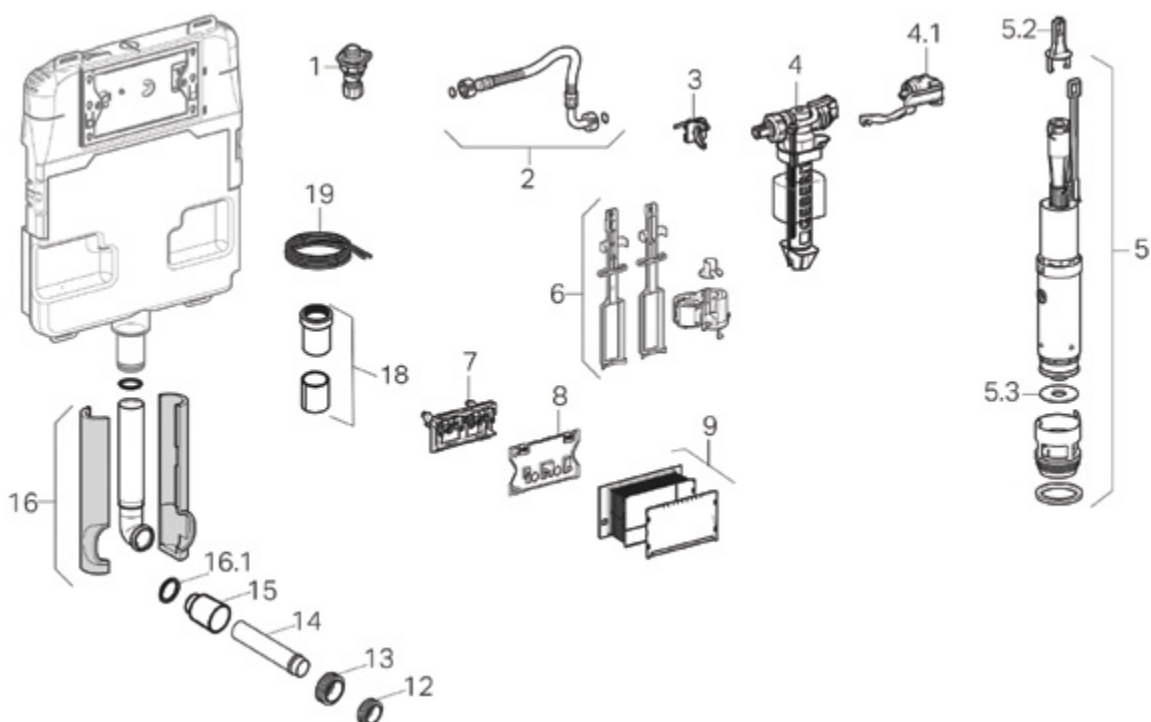


Find out more at
[geberit.com.au](https://www.geberit.com.au)

CONCEALED CISTERN SPARE PARTS

SIGMA75 PNEUMATIC/MECHANICAL – 109.75X.00.1

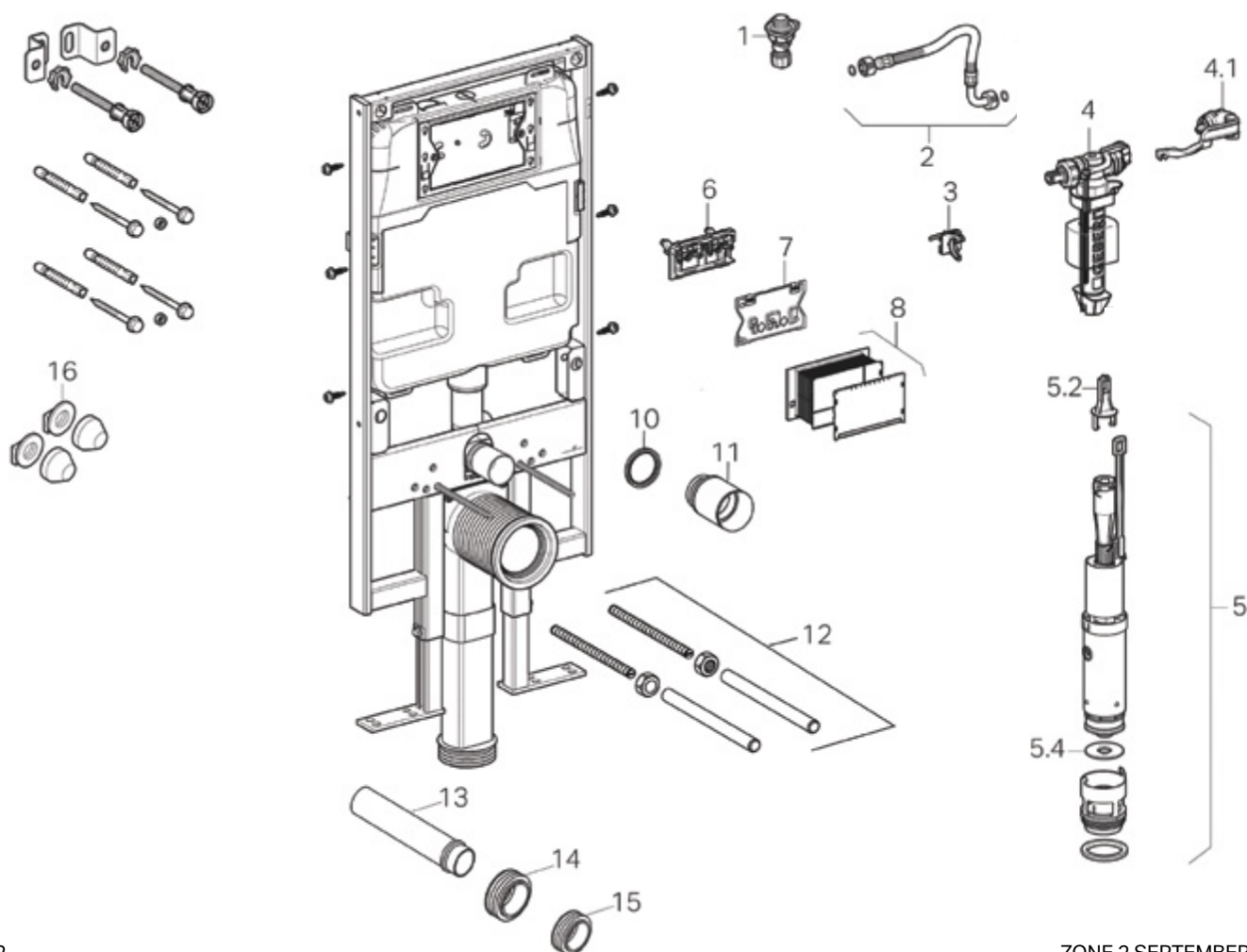
ARTICLE NO.	POS	DESCRIPTION	RRP EX. GST	RRP INC. GST
240.847.00.1	1	Stop valve DR-Brass, for concealed cisterns	\$67.27	\$74.00
225.164.00.1	2	Flexible hose DR-Brass for Sigma75 cistern	\$38.18	\$42.00
241.286.00.1	3	Inlet valve clip – UP700 and Sigma75 cistern	\$7.27	\$8.00
222.011.00.1	4	Typ380 inlet valve with 3/8" nipple short including accessories	\$74.55	\$82.00
170.360.00.1	4.1	Typ380 diaphragm and lever	\$7.27	\$8.00
241.290.00.1	5	Outlet valve complete with basket for Sigma8 and Sigma75 cistern	\$91.82	\$101.00
241.167.00.1	5.2	Outlet valve bracket (set of 9) for (UP and Duofix products)	\$15.45	\$17.00
241.291.00.1	5.3	Gasket seal, for outlet valve UP700, Sigma75 and Sigma8 cistern	\$9.09	\$10.00
242.845.00.1	6	Pneumatic lifter 6mm hose dual flush for Sigma75 and Sigma8 cistern	\$40.91	\$45.00
242.537.00.1	7	Transmission block for Sigma75 cistern	\$43.64	\$48.00
242.418.00.1	8	Inner cistern cover for Sigma75 cistern	\$30.91	\$34.00
241.826.00.1	9	Installation duct, for all Sigma cisterns	\$47.27	\$52.00
119.668.00.1	12	Kee seal for flush pipe 52-56mm	\$10.91	\$12.00
240.775.00.1	13	Kee seal for flush pipe 55-60mm	\$12.73	\$14.00
861.055.06.1	14	Flush pipe connector Ø 45mm – all UP cisterns	\$9.09	\$10.00
362.796.92.1	15	Protector plug – all UP cisterns	\$7.27	\$8.00
241.294.00.1	16	Flush bend for brick wall installation UP700, Sigma75 and Sigma8 cistern	\$15.45	\$17.00
362.771.00.1	16.1	Rubber ring seal, for UP170, Sigma8 and Sigma75 cisterns flush bend	\$7.27	\$8.00
225.168.00.1	18	Flush pipe adapter for Sigma cisterns	\$9.09	\$10.00
240.575.00.1	19	Dual flush pneumatic hose, 3mm x 2m	\$13.64	\$15.00
242.848.00.1		Dual flush pneumatic hose extension kit 6mm including connectors	\$38.18	\$42.00



CONCEALED CISTERNS SPARE PARTS

DUOFIX SIGMA75 MECHANICAL – 111.75X.00.1

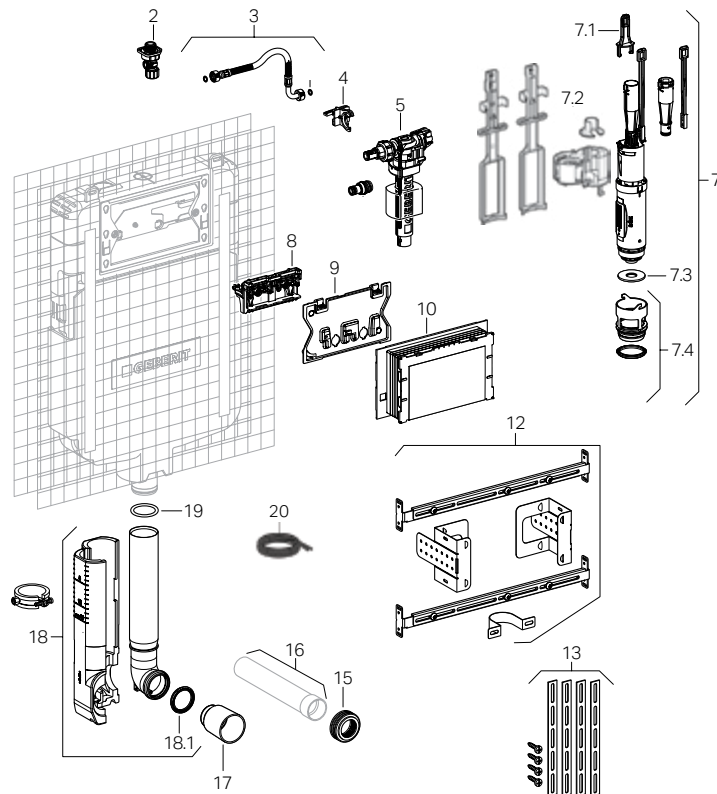
ARTICLE NO.	POS	DESCRIPTION	RRP EX. GST	RRP INC. GST
240.847.00.1	1	Stop valve DR-Brass, for concealed cisterns	\$67.27	\$74.00
225.164.00.1	2	Flexible hose DR-Brass for Sigma75 cistern	\$38.18	\$42.00
241.286.00.1	3	Inlet valve clip – UP700 and Sigma75 cistern	\$7.27	\$8.00
222.011.00.1	4	Typ380 inlet valve with 3/8" nipple short including accessories	\$74.55	\$82.00
170.360.00.1	4.1	Typ380 diaphragm and lever	\$7.27	\$8.00
241.290.00.1	5	Outlet valve complete with basket for Sigma8 and Sigma75 cistern	\$91.82	\$101.00
241.167.00.1	5.2	Outlet valve bracket (set of 9) for (UP and Duofix products)	\$15.45	\$17.00
241.291.00.1	5.4	Gasket seal, for outlet valve UP700, Sigma75 and Sigma8 cistern	\$9.09	\$10.00
242.537.00.1	6	Transmission block for Sigma75 cistern	\$43.64	\$48.00
242.418.00.1	7	Inner cistern cover for Sigma75 cistern	\$30.91	\$34.00
241.826.00.1	8	Installation duct, for all Sigma cisterns	\$47.27	\$52.00
362.771.00.1	10	Rubber ring seal, for UP170, Sigma8 and Sigma75 cisterns flush bend	\$7.27	\$8.00
362.796.92.1	11	Protector plug – all UP cisterns	\$7.27	\$8.00
240.189.00.1	12	Threaded rod for wall-hung toilet	\$9.09	\$10.00
861.055.06.1	13	Flush pipe connector Ø 45mm – all UP cisterns	\$9.09	\$10.00
119.668.00.1	14	Kee seal for flush pipe 52-56mm	\$10.91	\$12.00
240.775.00.1	15	Kee seal for flush pipe 55-60mm	\$12.73	\$14.00
217.713.46.1	16	Cover caps for wall hung pans – matt chrome	\$16.36	\$18.00



CONCEALED CISTERN SPARE PARTS

SIGMA8 CONCEALED CISTERN – 109.79X.00.1

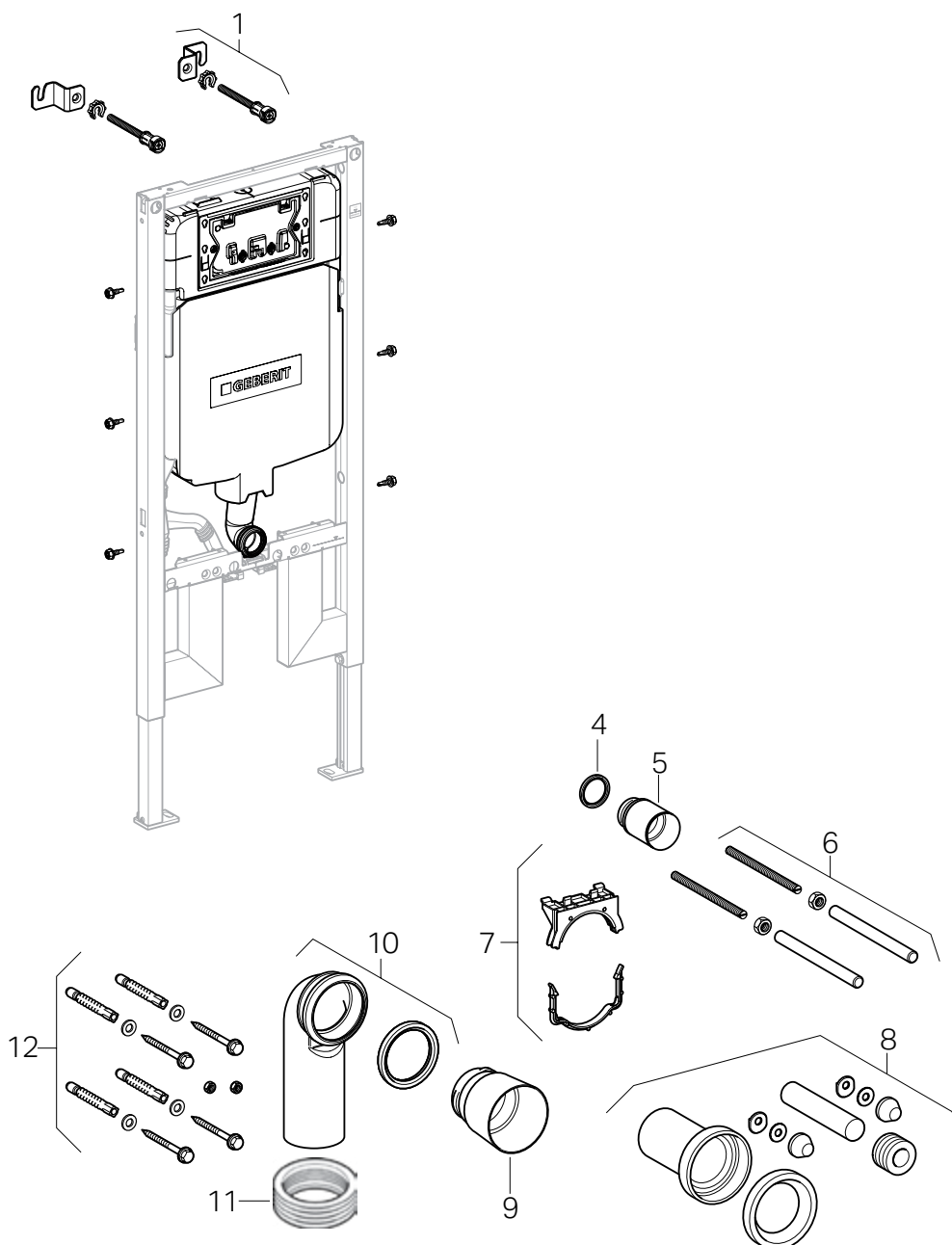
ARTICLE NO.	POS	DESCRIPTION	RRP EX. GST	RRP INC. GST	ARTICLE NO.	POS	DESCRIPTION	RRP EX. GST	RRP INC. GST
240.847.00.1	2	Stop valve DR-Brass, for concealed cisterns	\$67.27	\$74.00	242.418.00.1	9	Inner cistern cover for Sigma75 cistern	\$30.91	\$34.00
243.357.00.1	3	Inlet valve hose Sigma8 (2016)	\$38.18	\$42.00	243.345.00.1	10	Installation duct, for all Sigma cisterns	\$47.27	\$52.00
243.279.00.1	4	Inlet valve clip – Sigma8 (2016)	\$7.27	\$8.00	243.272.00.1	12	Sigma8 fastening kit – stud walls	\$30.91	\$34.00
222.011.00.1	5	Typ380 inlet valve with 3/8" nipple short including accessories	\$74.55	\$82.00	241.017.00.1	13	Wall support bracket and screws, for UP170	\$31.82	\$35.00
241.290.00.1	7	Outlet valve complete with basket for Sigma8 and Sigma75 cistern	\$91.82	\$101.00	119.668.00.1	15	Kee seal for flush pipe 52-56mm	\$10.91	\$12.00
241.167.00.1	7.1	Outlet valve bracket (set of 9) for (UP and Duofix products)	\$15.45	\$17.00	240.775.00.1	15	Kee seal for flush pipe 55-60mm	\$12.73	\$14.00
242.845.00.1	7.2	Pneumatic lifter 6mm hose dual flush for Sigma75 and Sigma8 cistern	\$40.91	\$45.00	861.055.06.1	16	Flush pipe connector Ø 45mm – all UP cisterns	\$9.09	\$10.00
241.291.00.1	7.3	Gasket seal, for outlet valve UP700, Sigma75 and Sigma8 cistern	\$9.09	\$10.00	362.796.92.1	17	Protector plug – all UP cisterns	\$7.27	\$8.00
242.269.00.1	7.4	Outlet Valve basket and Seal Sigma8	\$30.91	\$34.00	241.294.00.1	18	Flush bend for brick wall installation UP700, Sigma75 and Sigma8 cistern	\$15.45	\$17.00
243.344.00.1	8	Transmission block Sigma8 (2016)	\$43.64	\$48.00	362.771.00.1	18.1	Rubber ring seal, for UP170, Sigma8 and Sigma75 cisterns flush bend	\$7.27	\$8.00
					892.975.00.1	19	O-ring Seal for Sigma8 cistern	\$7.27	\$8.00
					240.575.00.1	20	Dual flush pneumatic hose, 3mm x 2m	\$13.64	\$15.00



CONCEALED CISTERN SPARE PARTS

SIGMA8 DUOFIX CISTERN – 111.69X.00.1

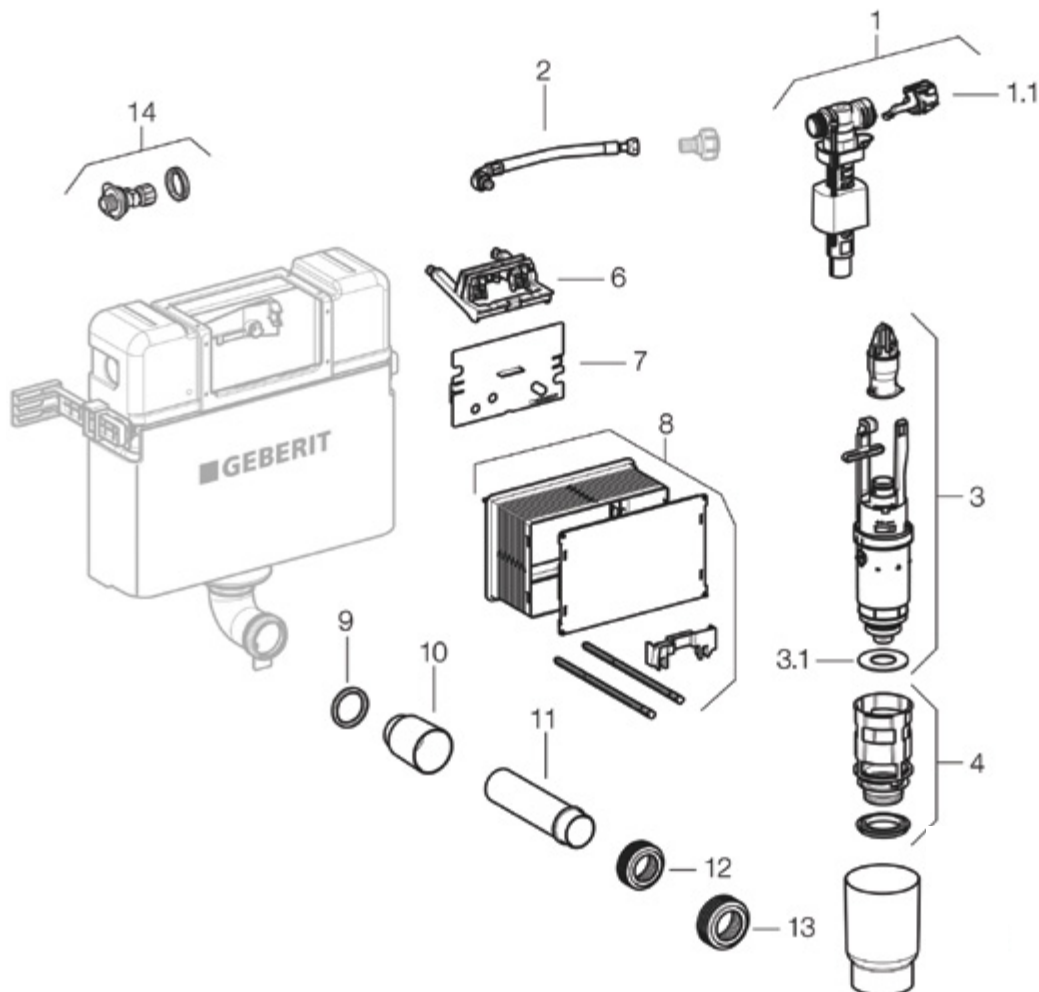
ARTICLE NO.	POS	DESCRIPTION	RRP EX. GST	RRP INC. GST
111.013.00.1	1	Duofix wall anchoring for Sigma8 (2016) set-2	\$51.82	\$57.00
362.771.00.1	4	Rubber ring seal, for UP170, Sigma8 and Sigma75 cisterns flush bend	\$7.27	\$8.00
362.796.92.1	5	Protector plug – all UP cisterns	\$7.27	\$8.00
240.189.00.1	6	Threaded rod for wall hung toilet	\$9.09	\$10.00
242.012.00.1	7	Bracket support for toilet outlet bend	\$18.18	\$20.00
152.426.46.1	8	Pan connection set white with pan collar and flush pipe	\$66.36	\$73.00
366.820.92.1	9	Protection plug for toilet outlet bend 90mm	\$12.73	\$14.00
241.899.00.1	10	HDPE connection S-bend, Ø 90mm L=410mm for wall hung toilet	\$48.18	\$53.00
241.722.00.1	11	Rubber adaptor, Ø 90mm x 110mm	\$14.55	\$16.00
216.179.00.1	12	Fastening Set	\$6.36	\$7.00



CONCEALED CISTERN SPARE PARTS

KAPPA UNDER COUNTER – LOW LEVEL CISTERN – 110.20X.00.1

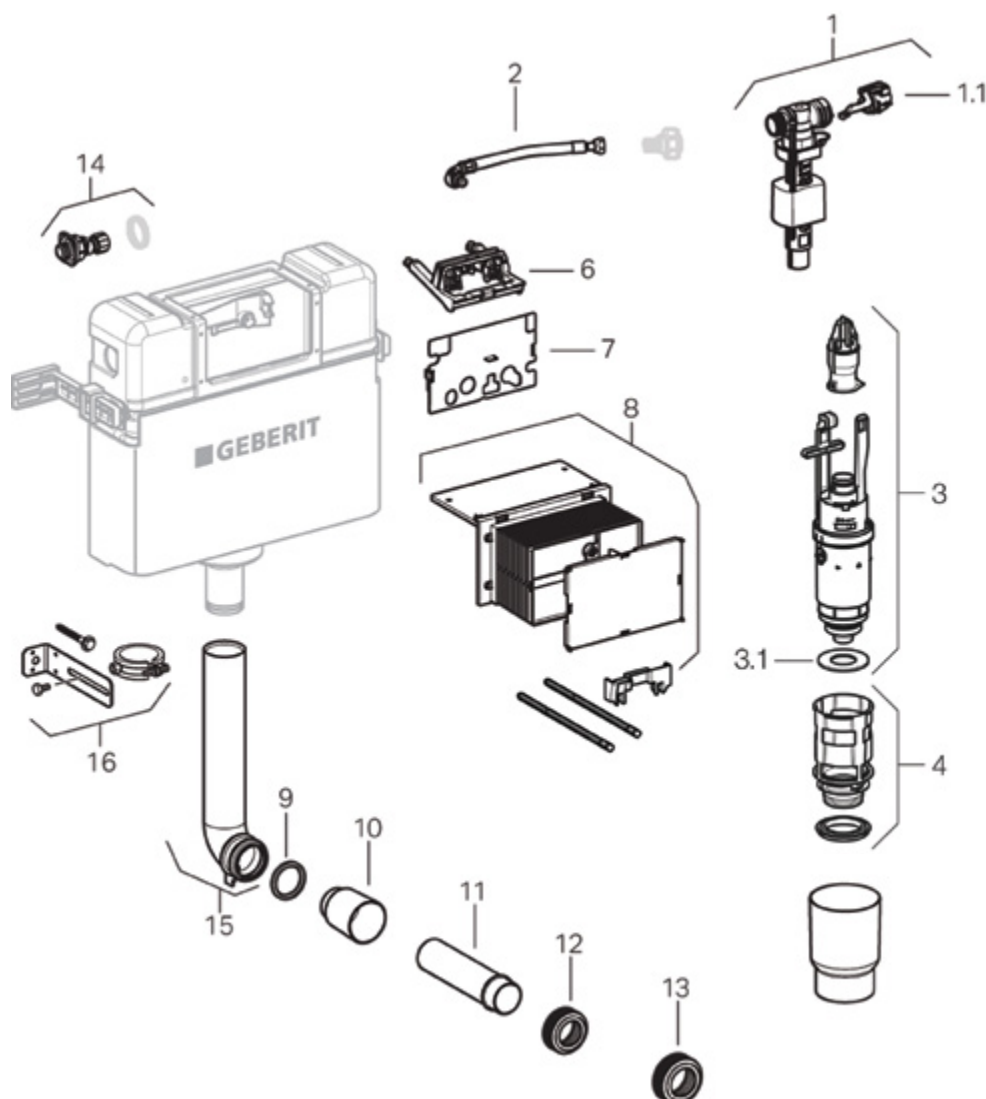
ARTICLE NO.	POS	DESCRIPTION	RRP EX. GST	RRP INC. GST
222.011.00.1	1	Typ380 inlet valve with 3/8" nipple short including accessories	\$74.55	\$82.00
170.360.00.1	1.1	Typ380 diaphragm and lever	\$7.27	\$8.00
240.817.00.1	2	Flexible hose complete DR-Brass, for Kappa cisterns	\$39.09	\$43.00
240.638.00.1	3	Outlet valve DF C/C Kappa/Artline	\$103.64	\$114.00
816.418.00.1	3.1	Outlet valve seal/washer, silicone size 63mm x 32mm	\$9.09	\$10.00
240.500.00.1	4	Basket complete with seal, for UP120/UP170	\$35.45	\$39.00
240.079.00.1	6	Transmission block Kappa cisterns	\$39.09	\$43.00
240.206.00.1	7	Inner cistern cover for UP120	\$25.45	\$28.00
240.172.00.1	8	Installation duct – Kappa cisterns	\$56.36	\$62.00
362.771.00.1	9	Rubber ring seal, for UP170, Sigma8 and Sigma75 cisterns flush bend	\$7.27	\$8.00
362.796.92.1	10	Protector plug – all UP cisterns	\$7.27	\$8.00
861.055.06.1	11	Flush pipe connector Ø 45mm – all UP cisterns	\$9.09	\$10.00
119.668.00.1	12	Kee seal for flush pipe 52-56mm	\$10.91	\$12.00
240.775.00.1	13	Kee seal for flush pipe 55-60mm	\$12.73	\$14.00
240.847.00.1	14	Stop valve DR-Brass, for concealed cisterns	\$67.27	\$74.00



CONCEALED CISTERN SPARE PARTS

UP120 KAPPA UNDER COUNTER – MID LEVEL CISTERN – 224.368.00.1

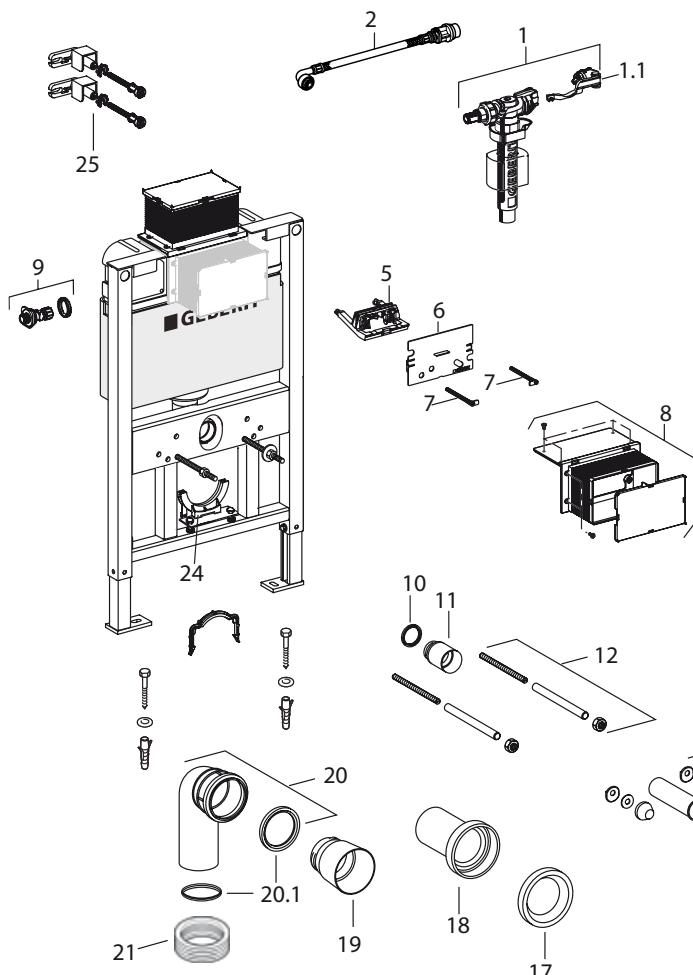
ARTICLE NO.	POS	DESCRIPTION	RRP EX. GST	RRP INC. GST
222.011.00.1	1	Typ380 inlet valve with 3/8" nipple short including accessories	\$74.55	\$82.00
170.360.00.1	1.1	Typ380 diaphragm and lever	\$7.27	\$8.00
240.817.00.1	2	Flexible hose complete DR-Brass, for Kappa cisterns	\$39.09	\$43.00
240.638.00.1	3	Outlet valve DF C/C Kappa/Artline	\$103.64	\$114.00
816.418.00.1	3.1	Outlet valve seal/washer, silicone size 63mm x 32mm	\$9.09	\$10.00
240.500.00.1	4	Basket complete with seal, for UP120/UP170	\$35.45	\$39.00
240.079.00.1	6	Transmission block Kappa cisterns	\$39.09	\$43.00
240.206.00.1	7	Inner cistern cover for UP120	\$25.45	\$28.00
240.172.00.1	8	Installation duct – Kappa cisterns	\$56.36	\$62.00
362.771.00.1	9	Rubber ring seal, for UP170, Sigma8 and Sigma75 cisterns flush bend	\$7.27	\$8.00
362.796.92.1	10	Protector plug – all UP cisterns	\$7.27	\$8.00
861.055.06.1	11	Flush pipe connector Ø 45mm – all UP cisterns	\$9.09	\$10.00
119.668.00.1	12	Kee seal for flush pipe 52-56mm	\$10.91	\$12.00
240.775.00.1	13	Kee seal for flush pipe 55-60mm	\$12.73	\$14.00
240.847.00.1	14	Stop valve DR-Brass, for concealed cisterns	\$67.27	\$74.00
225.006.00.1	15	Flush bend	\$36.36	\$40.00
241.378.00.1	16	Fixing bracket for flush bend	\$40.00	\$44.00



CONCEALED CISTERN SPARE PARTS

KAPPA DUOFIX FRAME UNDER COUNTER CONCEALED CISTERN – WALL HUNG – 111.26X.00.1

ARTICLE NO.	POS	DESCRIPTION	RRP EX. GST	RRP INC. GST	ARTICLE NO.	POS	DESCRIPTION	RRP EX. GST	RRP INC. GST
222.011.00.1	1	Typ380 inlet valve with 3/8" nipple short including accessories	\$74.55	\$82.00	240.172.00.1	8	Installation duct – Kappa cisterns	\$56.36	\$62.00
170.360.00.1	1.1	Typ380 diaphragm and lever	\$7.27	\$8.00	240.847.00.1	9	Stop valve DR-Brass, for concealed cisterns	\$67.27	\$74.00
240.817.00.1	2	Flexible hose complete DR-Brass, for Kappa cisterns	\$39.09	\$43.00	362.771.00.1	10	Rubber ring seal, for UP170, Sigma8 and Sigma75 cisterns flush bend	\$7.27	\$8.00
240.638.00.1	3	Outlet valve DF C/C Kappa/Artline	103.64	114.00	362.796.92.1	11	Protector plug – all UP cisterns	\$7.27	\$8.00
241.167.00.1	3.1	Outlet valve bracket (set of 9) for (UP and Duofix products)	\$15.45	\$17.00	240.189.00.1	12	Threaded rod for wall-hung toilet	\$9.09	\$10.00
240.500.00.1	4	Basket complete with seal, for UP120/UP170	\$35.45	\$39.00	217.713.46.1	13	Cover caps for wall hung pans – matt chrome	\$16.36	\$18.00
240.079.00.1	5	Transmission block Kappa cisterns	\$39.09	\$43.00	119.668.00.1	15	Kee seal for flush pipe 52-56mm	\$10.91	\$12.00
240.206.00.1	6	Inner cistern cover for UP120	\$25.45	\$28.00	240.775.00.1	16	Kee seal for flush pipe 57-62mm	\$12.73	\$14.00
240.639.00.1	7	Lever set for Kappa cisterns	\$11.82	\$13.00	170.364.00.1	17	Rubber collar for toilet connector 97-107mm	\$20.91	\$23.00
					170.365.00.1	18	HDPE straight connector, Ø 90mm for toilet w/o rubber collar	\$25.45	\$28.00
					366.820.92.1	19	Protection plug for toilet outlet bend 90mm	\$12.73	\$14.00
					366.061.16.1	20	HDPE outlet bend 90/90mm for wall hung toilet	\$38.18	\$42.00
					387.282.00.1	20.1	EPDM rubber ring, Ø 90mm	\$9.09	\$10.00
					241.722.00.1	21	Rubber adaptor, Ø 90mm x 110mm	\$14.55	\$16.00
					170.369.00.1	24	Bracket support for toilet outlet bend (all Duofix frames)	\$10.91	\$12.00
					111.815.00.1	25	Duofix brick wall fastening set 135-200mm	\$57.27	\$63.00



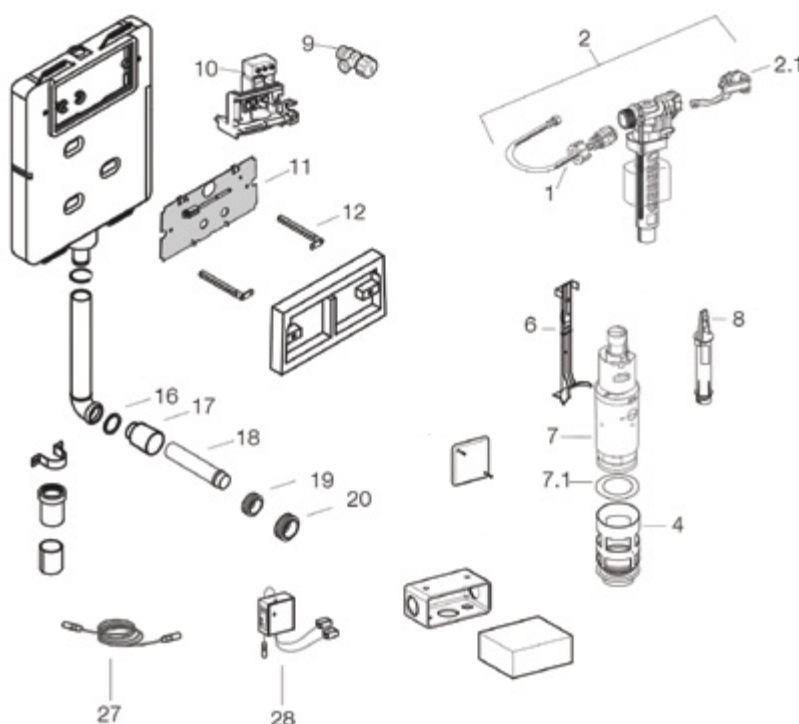
CONCEALED CISTERN SPARE PARTS

UP170 CISTERN – 110.70X.00.1, 224.383.00.1

ARTICLE NO.	POS	DESCRIPTION	RRP EX. GST	RRP INC. GST
240.989.00.1	1	Flexible hose with 3/8" female nut for rear inlet valve Typ380 (222.013)	\$29.09	\$32.00
222.013.00.1	2	Typ380 inlet valve with flex hose 3/8" for back inlet cistern	\$80.91	\$89.00
170.360.00.1	2.1	Typ380 diaphragm and lever	\$7.27	\$8.00
240.500.00.1	4	Basket complete with seal, for UP120/UP170	\$35.45	\$39.00
240.507.00.1	6	Holding down clamp – UP170 cisterns	\$10.91	\$12.00
240.502.00.1	7	Outlet valve dual flush – UP170 cisterns	\$93.64	\$103.00
816.418.00.1	7.1	Outlet valve seal/washer, silicone size 63mm x 32mm	\$9.09	\$10.00
241.167.00.1	8	Outlet valve bracket (set of 9) for (UP and Duofix products)	\$15.45	\$17.00
240.644.00.1	9	Stop valve DR-Brass for UP170	\$30.91	\$34.00
225.133.00.1	10	Transmission block, including electronic module for UP170 Electronic	\$469.09	\$516.00
240.512.00.1	11	Inner cover/flush button opening for UP170	\$22.73	\$25.00
240.067.00.1	12	Flush button fastening bolt for UP170 cistern	\$11.82	\$13.00
362.771.00.1	16	Rubber ring seal, for UP170, Sigma8 and Sigma75 cisterns flush bend	\$7.27	\$8.00
362.796.92.1	17	Protector plug – all UP cisterns	\$7.27	\$8.00
861.055.06.1	18	Flush pipe connector Ø 45mm – all UP cisterns	\$9.09	\$10.00
119.668.00.1	19	Kee seal for flush pipe 52-56mm	\$10.91	\$12.00
240.775.00.1	20	Kee seal for flush pipe 55-60mm	\$12.73	\$14.00
225.135.00.1	27	Cable for HyTronic actuator, L=2m	\$52.73	\$58.00
241.149.00.1	28	Power supply unit toilet-ctrl electronic	\$164.55	\$181.00

UP170 PNEUMATIC/MECHANICAL

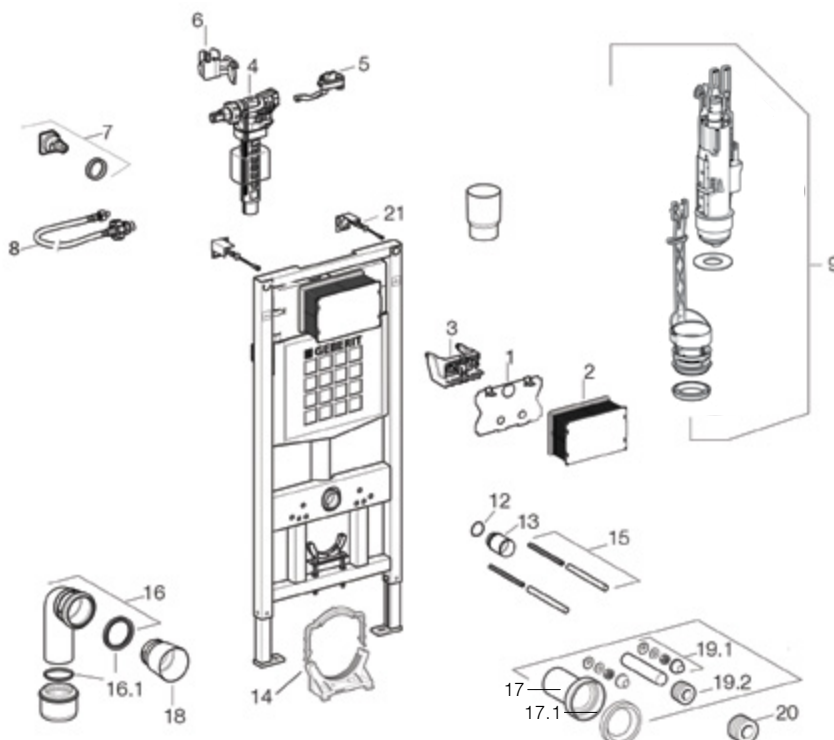
240.511.00.1		Transmission block, dual flush, for UP170 front flush	\$32.73	\$36.00
240.575.00.1		Dual flush pneumatic hose, 3mm x 2m	\$13.64	\$15.00
240.574.00.1		Dual flush pneumatic lifter for 3mm hose	\$40.00	\$44.00



CONCEALED CISTERN SPARE PARTS

UP300/320 CISTERN – 111.368.00.1, 111.363.00.1

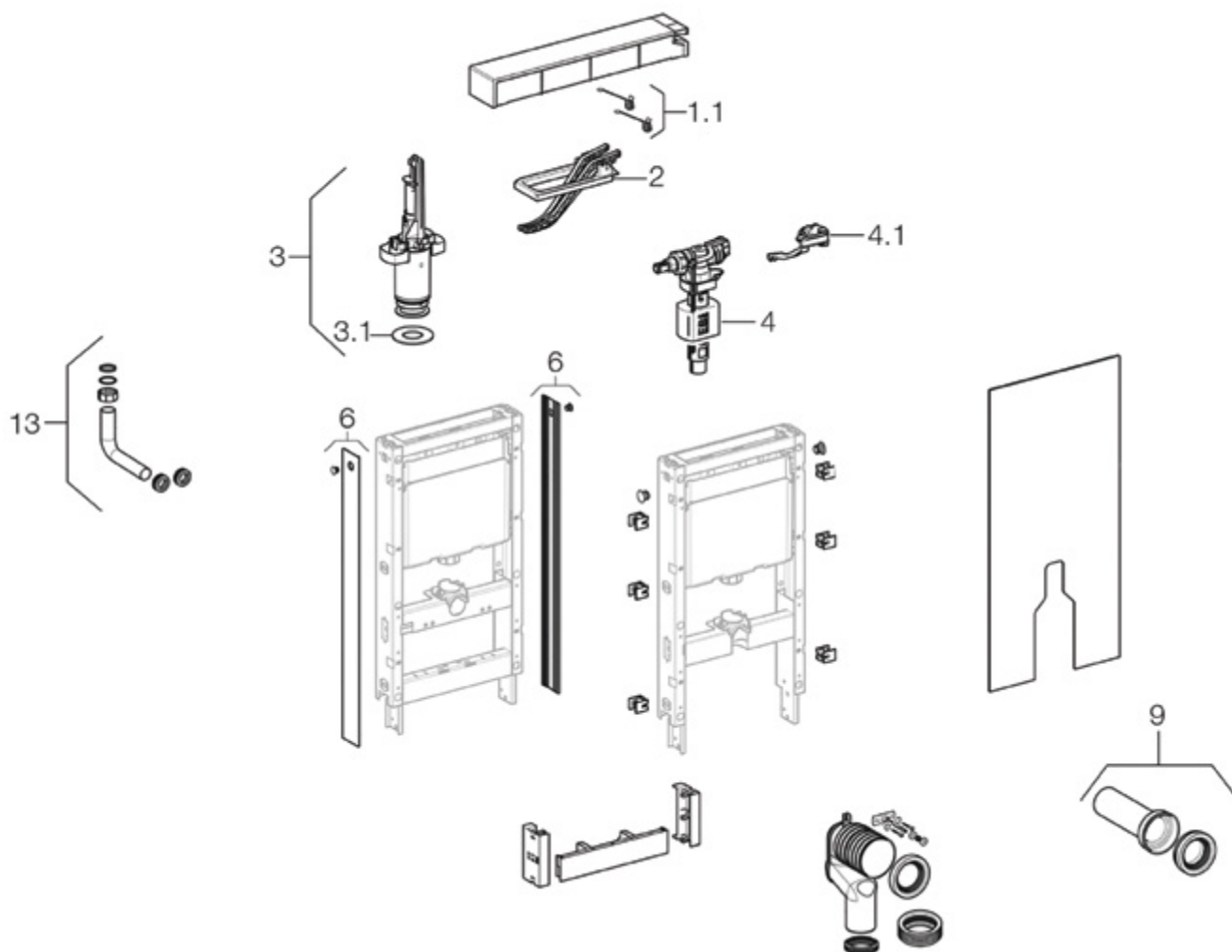
ARTICLE NO.	POS	DESCRIPTION	RRP EX. GST	RRP INC. GST
240.930.00.1	1	Inner cistern cover – UP300 and UP700	\$30.91	\$34.00
240.931.00.1	2	Installation duct – UP300 and UP700	\$47.27	\$52.00
241.829.00.1	3	Support block for Sigma12 cistern	\$46.36	\$51.00
222.011.00.1	4	Typ380 inlet valve with 3/8" nipple short including accessories	\$74.55	\$82.00
170.360.00.1	5	Typ380 diaphragm and lever	\$7.27	\$8.00
240.923.00.1	6	Clip for inlet valve UP300	\$18.18	\$20.00
240.847.00.1	7	Stop valve DR-Brass, for concealed cisterns	\$67.27	\$74.00
241.854.00.1	8	Flexible hose complete DR-Brass – UP172, UP300 and UP320	\$38.18	\$42.00
244.820.00.1	9	Geberit Type 212 flush valve, complete for Sigma, Delta and UP300 concealed cisterns	\$74.55	\$82.00
362.771.00.1	12	Rubber ring seal, for UP170, Sigma8 and Sigma75 cisterns flush bend	\$7.27	\$8.00
362.796.92.1	13	Protector plug – all UP cisterns	\$7.27	\$8.00
242.012.00.1	14	Bracket support for toilet outlet bend	\$18.18	\$20.00
240.189.00.1	15	Threaded rod for wall-hung toilet	\$9.09	\$10.00
366.061.16.1	16	HDPE outlet bend 90/90mm for wall hung toilet	\$38.18	\$42.00
387.282.00.1	16.1	EPDM rubber ring, Ø 90mm	\$9.09	\$10.00
170.365.00.1	17	HDPE straight connector, Ø 90mm for toilet, w/o rubber collar	\$25.45	\$28.00
170.364.00.1	17.1	Rubber collar for toilet connector 97-107mm	\$20.91	\$23.00
366.820.92.1	18	Protection plug for toilet outlet bend 90mm	\$12.73	\$14.00
217.713.46.1	19.1	Cover caps for wall hung pans – matt chrome	\$16.36	\$18.00
119.668.00.1	19.2	Kee seal for flush pipe 52-56mm	\$10.91	\$12.00
240.775.00.1	20	Kee seal for flush pipe 55-60mm	\$12.73	\$14.00
111.815.00.1	21	Duofix brick wall fastening set 135-200mm	\$57.27	\$63.00



CONCEALED CISTERN SPARE PARTS

MONOLITH – 131.00X.XX.1

ARTICLE NO.	POS	DESCRIPTION	RRP EX. GST	RRP INC. GST
242.486.00.1	1.1	Cistern lid spring set, for Monolith toilet	\$13.64	\$15.00
242.387.00.1	2	Actuator set dual flush, for Monolith toilet	\$10.91	\$12.00
242.389.00.1	3	Outlet valve, for Monolith toilet	\$91.82	\$101.00
816.418.00.1	3.1	Outlet valve seal/washer, silicone size 63mm x 32mm	\$9.09	\$10.00
222.011.00.1	4	Typ380 inlet valve with 3/8" nipple short including accessories	\$74.55	\$82.00
170.360.00.1	4.1	Typ380 diaphragm and lever	\$7.27	\$8.00
242.480.00.1	6	Side and front cover installation set, for Monolith toilet	\$19.09	\$21.00
131.083.16.1	9	P trap connector with collar 90mm, for Monolith toilet	\$48.18	\$53.00
242.390.11.1	13	Flush bend connection set complete, for Monolith toilet	\$35.45	\$39.00



SPARE PARTS BUTTONS

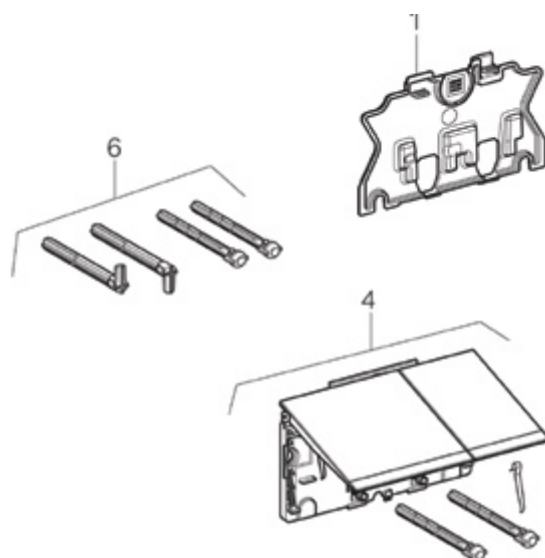


Find out more at
[geberit.com.au](https://www.geberit.com.au)

BUTTON SPARE PARTS

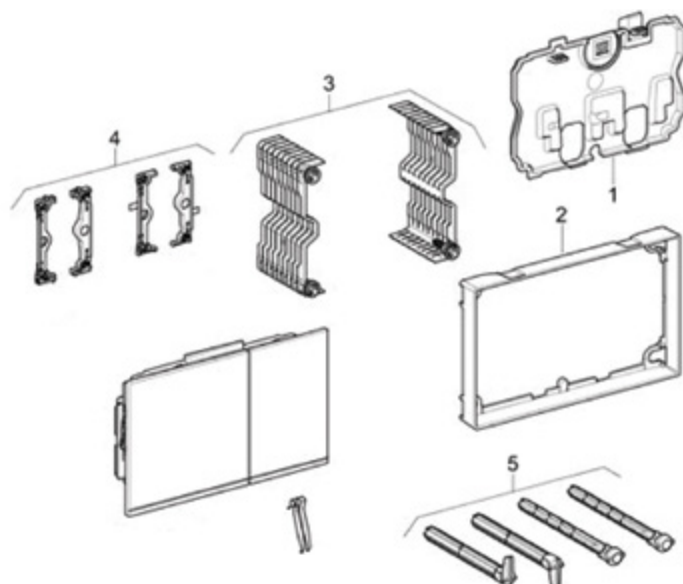
SIGMA60 (2014) – 115.794.GH.1

ARTICLE NO.	POS	DESCRIPTION	RRP EX. GST	RRP INC. GST
242.583.00.1	1	Inner cover, for Sigma60 (2014)	\$35.45	\$39.00
115.796.GH.1	4	Geberit flush button Sigma60 for dual flush, ready-to-fit set	\$493.64	\$543.00
242.588.00.1	6	Actuator rod set for Sigma60	\$27.27	\$30.00



SIGMA60 (2016) – 115.640.XX.1

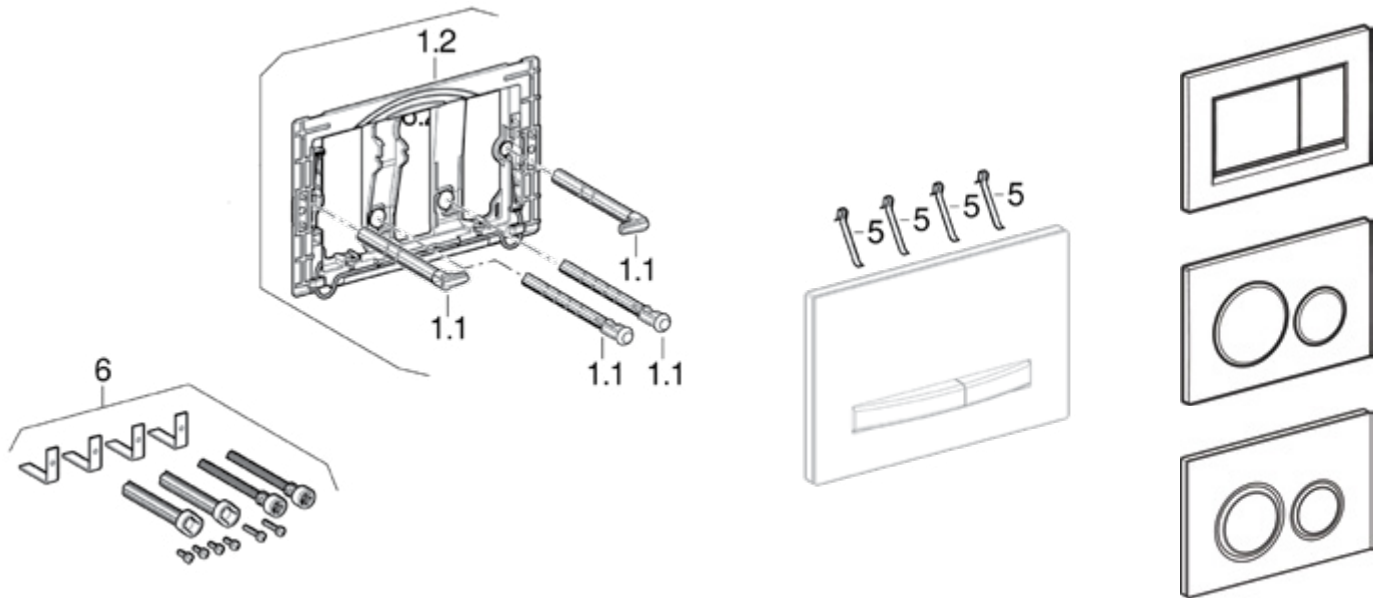
ARTICLE NO.	POS	DESCRIPTION	RRP EX. GST	RRP INC. GST
243.423.00.1	1	Inner cover Sigma60 (2016)	\$30.91	\$34.00
243.413.00.1	2	Mounting frame Sigma60 (2016)	\$94.55	\$104.00
243.414.00.1	3	Distance element Sigma60 (2016) set-2	\$45.45	\$50.00
243.424.00.1	4	Adapter Set Sigma60 (2016)	\$29.09	\$32.00
242.588.00.1	5	Actuator rod set for Sigma60	\$27.27	\$30.00



BUTTON SPARE PARTS

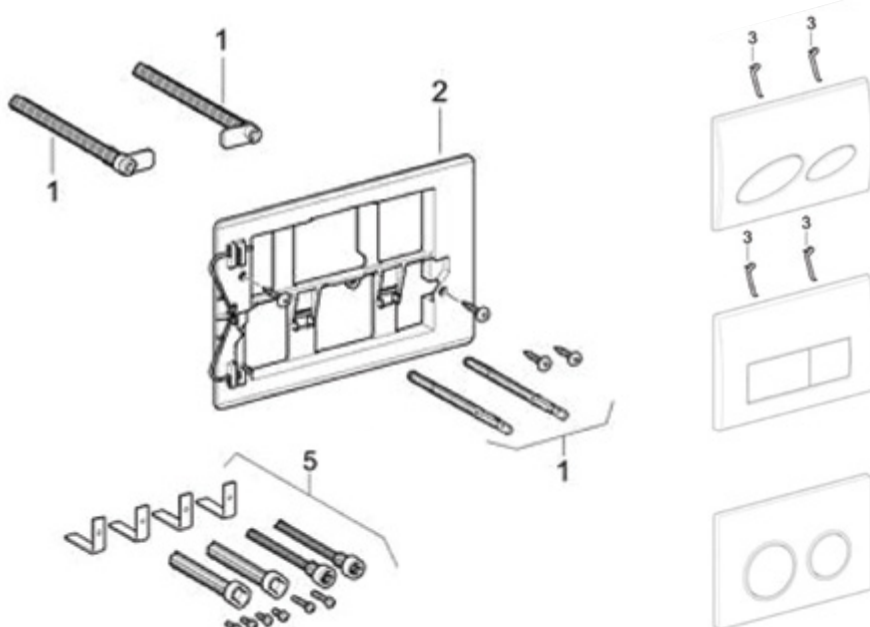
SIGMA20, 21, 30, 50 – 115.788.XX.2, 115.67X.XX.2, 115.884.XX.1, 115.883.XX.1, 115.882.XX.1

ARTICLE NO.	POS	DESCRIPTION	RRP EX. GST	RRP INC. GST
241.874.00.1	1.1	Actuator rod set, for tool-less installation – Sigma buttons	\$9.09	\$10.00
241.876.00.1	1.2	Mounting frame, for tool-less installation – Sigma buttons	\$33.64	\$37.00
241.295.00.1	5	Spring for Sigma plates set-10	\$5.45	\$6.00
240.938.00.1	6	Extension set, for Danceline/Sigma buttons	\$47.27	\$52.00



KAPPA20, 21, 50 - 115.228.XX.1, 115.240.XX.1, 115.258.XX.1, 115.260.XX.1

ARTICLE NO.	POS	DESCRIPTION	RRP EX. GST	RRP INC. GST
240.639.00.1	1	Lever set for Kappa cisterns	\$11.82	\$13.00
240.646.00.1	2	Mounting frame, for Artline/Kappa push plates	\$59.09	\$65.00
241.295.00.1	3	Spring for Kappa plates set-10	\$5.45	\$6.00
240.058.00.1	5	Flush button extension set – Twinline/Highline/Kappa/Delta buttons	\$26.36	\$29.00



FLUSH BUTTON SHOWROOM

YOUR BATHROOM YOUR DESIGN



DESIGN
MEETS
FUNCTION

EXPLORE YOUR OPTIONS

Discover the diverse Geberit Flush Button range at your fingertips. Choose your preferred colour, shape, material, and gain a little inspiration along the way.

DISCOVER YOUR PERFECT PAIR

Never before has pairing the ideal flush button with the right cistern been so simple. Identify the perfect match for your cistern effortlessly.

SELECTION MADE EASIER

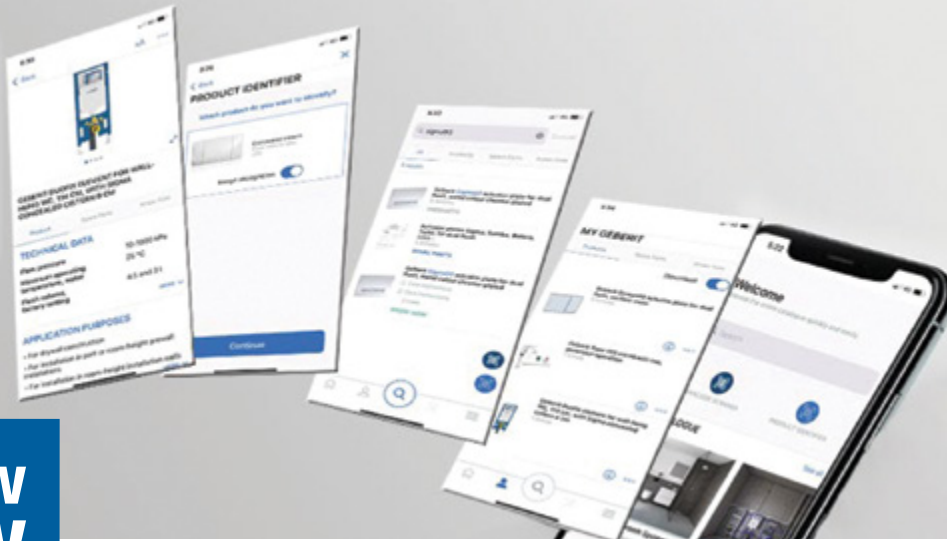
You can effortlessly guide your customers through the button selection process, with the flush button showroom's straightforward and easy-to-navigate platform.

Visit flush button showroom
flushbuttons.geberit.com.au



GEBERIT PRO APP

AN INDISPENSABLE BUILDING SITE APP

**KNOW
HOW
INSTALLED****PRODUCT IDENTIFIER**

Quickly identify Geberit concealed cisterns from 1964 onwards, granting convenient access to spare parts information and more.

INSTANT PRODUCT INFORMATION

Simply point your phone's camera at a Geberit barcode or QR code to quickly find product information.

PRODUCT CATALOGUE

Browse the entire Geberit Australia catalogue anytime, quickly and easily.



Download
Geberit Pro App

GEBERIT VIRTUAL SHOWROOM

FULLY IMMERSIVE 3D EXPERIENCE



DESIGN
MEETS
FUNCTION

GAIN PRODUCT CONFIDENCE

Our virtual showroom has been designed to encapsulate all of Geberit's product ranges, including front and back of wall. Journey through for an up-close look of the products that suit you and your next project.

EASE OF ACCESSIBILITY

Our virtual showroom, reachable via phone, laptop, PC, or tablet, ensures seamless and round-the-clock accessibility from any location.

INTERACTIVE

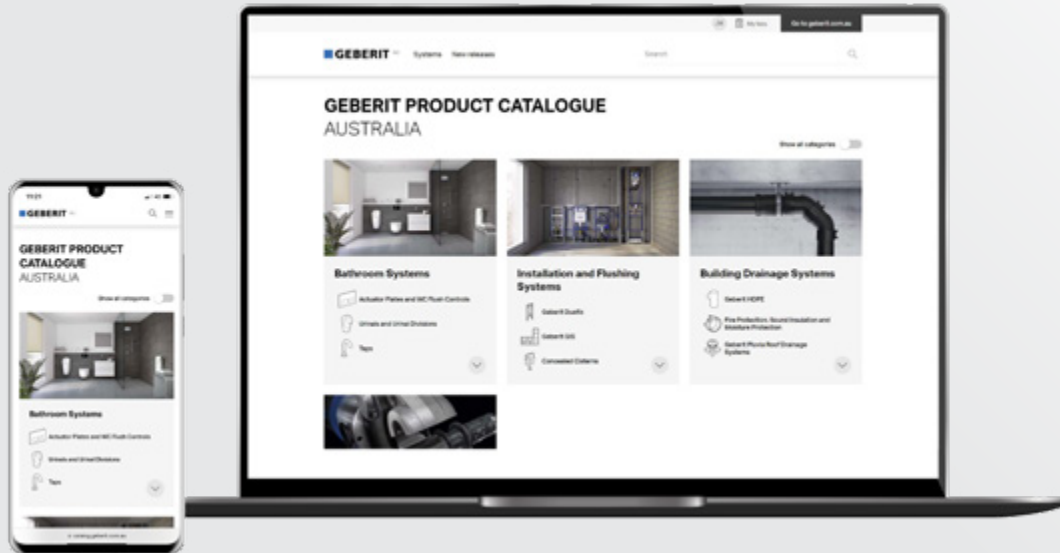
Click on the hotspots to reveal detailed information about our products, from technical elements to unique design attributes.

Visit virtual showroom
virtual-showroom.geberit.com/en-au



GEBERIT PRODUCT CATALOGUE

EFFORTLESS EXPLORATION UNIFIED DATA INSIGHTS

**KNOW
HOW
INSTALLED**

EFFORTLESS NAVIGATION

Experience easy access to all sections of the catalogue with a search or menu. Finding what you need has never been more convenient.

INCORPORATED BIM DATA

Quick and easy access to Autodesk Revit BIM data has been made available with our product pages. Saving you time for your project design.

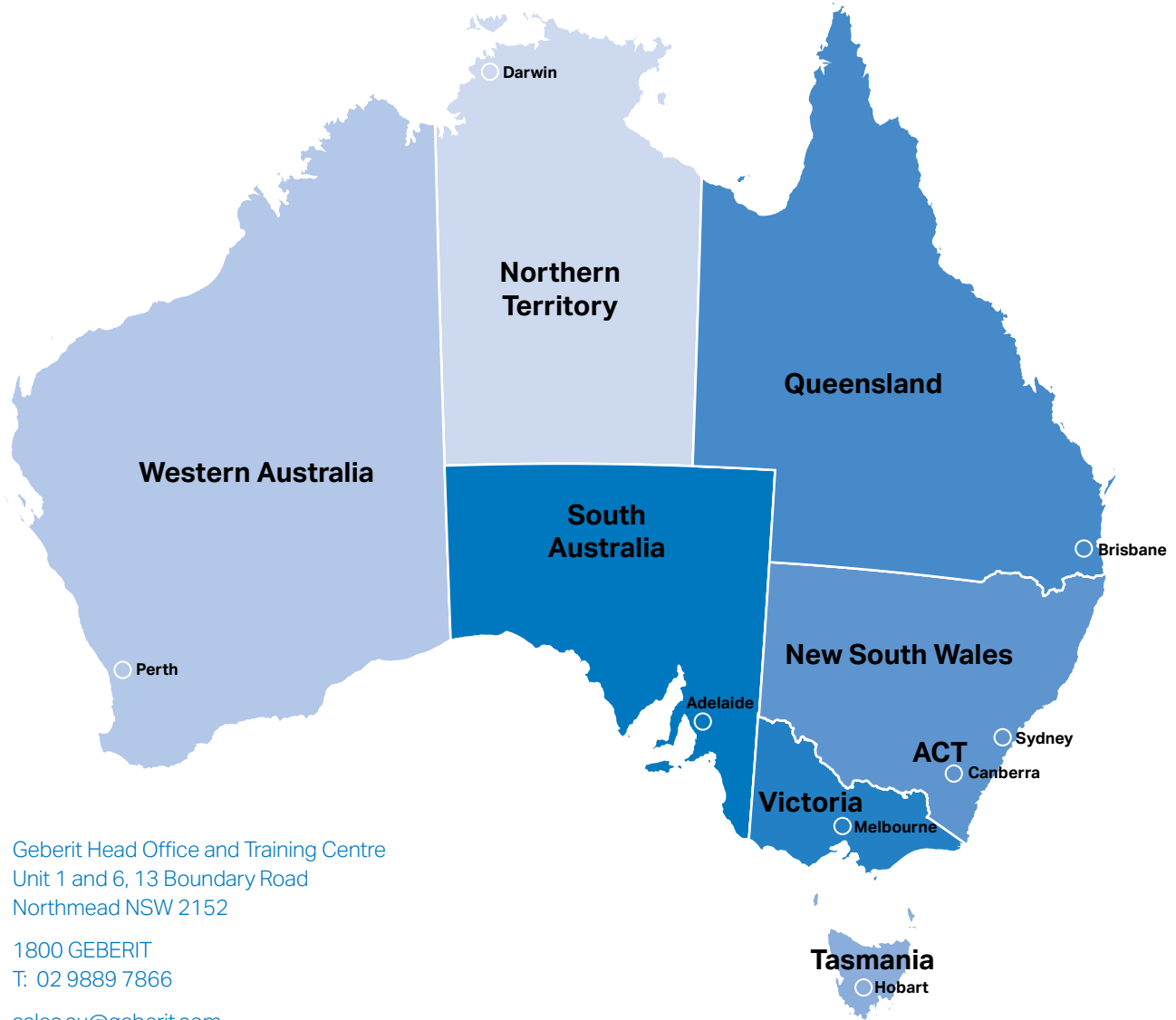
ENHANCED SPARE PARTS TABLES

We've refined our spare parts tables to reference associated and complementary products, simplifying your decision-making journey.

Visit Product Catalogue
catalog.geberit.com.au



GEBERIT SUPPORT



Geberit Head Office and Training Centre
Unit 1 and 6, 13 Boundary Road
Northmead NSW 2152

1800 GEBERIT
T: 02 9889 7866

sales.au@geberit.com
→ geberit.com.au

NSW, ACT **James Cameron** – State Manager
M: 0434 065 196
james.cameron@geberit.com

VIC, SA, TAS **Chris Hovey** – State Manager
M: 0402 255 508
chris.hovey@geberit.com

QLD, NT **Brittany Lloyd-Tertis** – State Manager
M: 0456 988 274
brittany.lloyd-tertis@geberit.com

WA **Guy Palmeri** – State Manager
M: 0432 095 242
guy.palmeri@geberit.com

GENERAL CONDITIONS

Valid from 1st September 2023. Prices may change at any time without notice.

All prices are in AUD, F.I.S and apply to all products, including spare parts with a minimum order value of \$250+ GST, to supplies in WA, TAS and NT only.

The information provided contains general descriptions of technical options available, which do not always apply to individual cases. The required features should therefore be individually clarified in accordance with individual situations at the time of ordering. All dimensions in mm (10mm = 1cm). This publication GEAU 01/09/2023 supersedes all previous publications. Copyright Geberit Pty Ltd, September 2023.